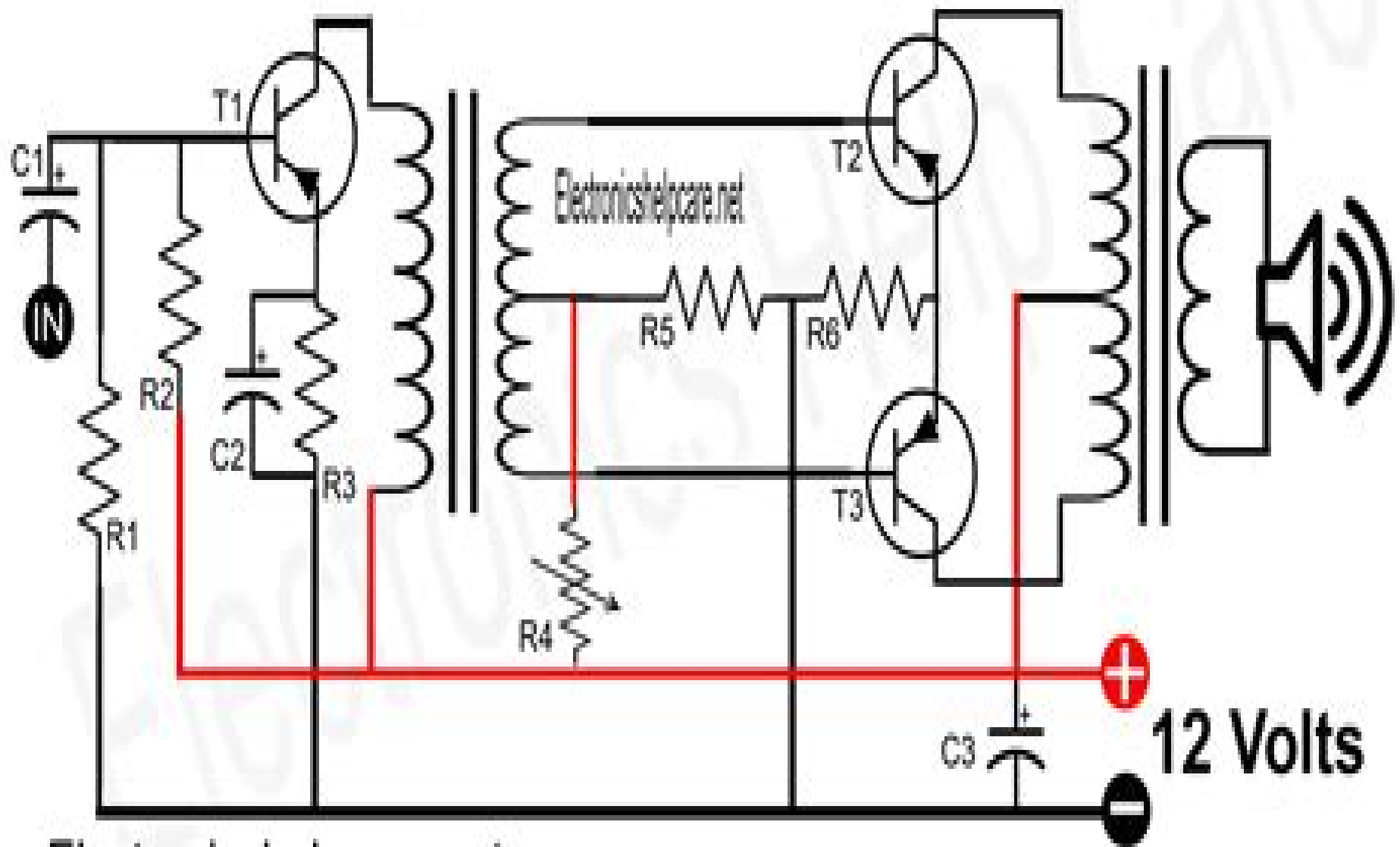


Push-Pull Amplifier Circuit Diagram



Triode Push Pull Circuit Datasheet Application Note

Daniela Niemeyer



Triode Push Pull Circuit Datasheet Application Note:

Triode Push Pull Circuit Datasheet Application Note Book Review: Unveiling the Magic of Language

In an electronic era where connections and knowledge reign supreme, the enchanting power of language has become much more apparent than ever. Its capability to stir emotions, provoke thought, and instigate transformation is actually remarkable. This extraordinary book, aptly titled "**Triode Push Pull Circuit Datasheet Application Note**," written by a highly acclaimed author, immerses readers in a captivating exploration of the significance of language and its profound effect on our existence. Throughout this critique, we shall delve into the book's central themes, evaluate its unique writing style, and assess its overall influence on its readership.

https://db1.greenfirefarms.com/public/detail/HomePages/Pro_Ai_Tools_Explained_20457_59121.pdf

Table of Contents Triode Push Pull Circuit Datasheet Application Note

1. Understanding the eBook Triode Push Pull Circuit Datasheet Application Note
 - The Rise of Digital Reading Triode Push Pull Circuit Datasheet Application Note
 - Advantages of eBooks Over Traditional Books
2. Identifying Triode Push Pull Circuit Datasheet Application Note
 - Exploring Different Genres
 - Considering Fiction vs. Non-Fiction
 - Determining Your Reading Goals
3. Choosing the Right eBook Platform
 - Popular eBook Platforms
 - Features to Look for in a Triode Push Pull Circuit Datasheet Application Note
 - User-Friendly Interface
4. Exploring eBook Recommendations from Triode Push Pull Circuit Datasheet Application Note
 - Personalized Recommendations
 - Triode Push Pull Circuit Datasheet Application Note User Reviews and Ratings
 - Triode Push Pull Circuit Datasheet Application Note and Bestseller Lists

5. Accessing Triode Push Pull Circuit Datasheet Application Note Free and Paid eBooks
 - Triode Push Pull Circuit Datasheet Application Note Public Domain eBooks
 - Triode Push Pull Circuit Datasheet Application Note eBook Subscription Services
 - Triode Push Pull Circuit Datasheet Application Note Budget-Friendly Options
6. Navigating Triode Push Pull Circuit Datasheet Application Note eBook Formats
 - ePub, PDF, MOBI, and More
 - Triode Push Pull Circuit Datasheet Application Note Compatibility with Devices
 - Triode Push Pull Circuit Datasheet Application Note Enhanced eBook Features
7. Enhancing Your Reading Experience
 - Adjustable Fonts and Text Sizes of Triode Push Pull Circuit Datasheet Application Note
 - Highlighting and Note-Taking Triode Push Pull Circuit Datasheet Application Note
 - Interactive Elements Triode Push Pull Circuit Datasheet Application Note
8. Staying Engaged with Triode Push Pull Circuit Datasheet Application Note
 - Joining Online Reading Communities
 - Participating in Virtual Book Clubs
 - Following Authors and Publishers Triode Push Pull Circuit Datasheet Application Note
9. Balancing eBooks and Physical Books Triode Push Pull Circuit Datasheet Application Note
 - Benefits of a Digital Library
 - Creating a Diverse Reading Collection Triode Push Pull Circuit Datasheet Application Note
10. Overcoming Reading Challenges
 - Dealing with Digital Eye Strain
 - Minimizing Distractions
 - Managing Screen Time
11. Cultivating a Reading Routine Triode Push Pull Circuit Datasheet Application Note
 - Setting Reading Goals Triode Push Pull Circuit Datasheet Application Note
 - Carving Out Dedicated Reading Time
12. Sourcing Reliable Information of Triode Push Pull Circuit Datasheet Application Note
 - Fact-Checking eBook Content of Triode Push Pull Circuit Datasheet Application Note
 - Distinguishing Credible Sources
13. Promoting Lifelong Learning

- Utilizing eBooks for Skill Development
 - Exploring Educational eBooks
14. Embracing eBook Trends
- Integration of Multimedia Elements
 - Interactive and Gamified eBooks

Triode Push Pull Circuit Datasheet Application Note Introduction

In this digital age, the convenience of accessing information at our fingertips has become a necessity. Whether its research papers, eBooks, or user manuals, PDF files have become the preferred format for sharing and reading documents. However, the cost associated with purchasing PDF files can sometimes be a barrier for many individuals and organizations. Thankfully, there are numerous websites and platforms that allow users to download free PDF files legally. In this article, we will explore some of the best platforms to download free PDFs. One of the most popular platforms to download free PDF files is Project Gutenberg. This online library offers over 60,000 free eBooks that are in the public domain. From classic literature to historical documents, Project Gutenberg provides a wide range of PDF files that can be downloaded and enjoyed on various devices. The website is user-friendly and allows users to search for specific titles or browse through different categories. Another reliable platform for downloading Triode Push Pull Circuit Datasheet Application Note free PDF files is Open Library. With its vast collection of over 1 million eBooks, Open Library has something for every reader. The website offers a seamless experience by providing options to borrow or download PDF files. Users simply need to create a free account to access this treasure trove of knowledge. Open Library also allows users to contribute by uploading and sharing their own PDF files, making it a collaborative platform for book enthusiasts. For those interested in academic resources, there are websites dedicated to providing free PDFs of research papers and scientific articles. One such website is Academia.edu, which allows researchers and scholars to share their work with a global audience. Users can download PDF files of research papers, theses, and dissertations covering a wide range of subjects. Academia.edu also provides a platform for discussions and networking within the academic community. When it comes to downloading Triode Push Pull Circuit Datasheet Application Note free PDF files of magazines, brochures, and catalogs, Issuu is a popular choice. This digital publishing platform hosts a vast collection of publications from around the world. Users can search for specific titles or explore various categories and genres. Issuu offers a seamless reading experience with its user-friendly interface and allows users to download PDF files for offline reading. Apart from dedicated platforms, search engines also play a crucial role in finding free PDF files. Google, for instance, has an advanced search feature that allows users to filter results by file type. By specifying the file type as "PDF," users can find websites that offer free PDF downloads on a specific topic. While downloading Triode Push Pull Circuit

Datasheet Application Note free PDF files is convenient, its important to note that copyright laws must be respected. Always ensure that the PDF files you download are legally available for free. Many authors and publishers voluntarily provide free PDF versions of their work, but its essential to be cautious and verify the authenticity of the source before downloading Triode Push Pull Circuit Datasheet Application Note. In conclusion, the internet offers numerous platforms and websites that allow users to download free PDF files legally. Whether its classic literature, research papers, or magazines, there is something for everyone. The platforms mentioned in this article, such as Project Gutenberg, Open Library, Academia.edu, and Issuu, provide access to a vast collection of PDF files. However, users should always be cautious and verify the legality of the source before downloading Triode Push Pull Circuit Datasheet Application Note any PDF files. With these platforms, the world of PDF downloads is just a click away.

FAQs About Triode Push Pull Circuit Datasheet Application Note Books

How do I know which eBook platform is the best for me? Finding the best eBook platform depends on your reading preferences and device compatibility. Research different platforms, read user reviews, and explore their features before making a choice. Are free eBooks of good quality? Yes, many reputable platforms offer high-quality free eBooks, including classics and public domain works. However, make sure to verify the source to ensure the eBook credibility. Can I read eBooks without an eReader? Absolutely! Most eBook platforms offer web-based readers or mobile apps that allow you to read eBooks on your computer, tablet, or smartphone. How do I avoid digital eye strain while reading eBooks? To prevent digital eye strain, take regular breaks, adjust the font size and background color, and ensure proper lighting while reading eBooks. What the advantage of interactive eBooks? Interactive eBooks incorporate multimedia elements, quizzes, and activities, enhancing the reader engagement and providing a more immersive learning experience. Triode Push Pull Circuit Datasheet Application Note is one of the best book in our library for free trial. We provide copy of Triode Push Pull Circuit Datasheet Application Note in digital format, so the resources that you find are reliable. There are also many Ebooks of related with Triode Push Pull Circuit Datasheet Application Note. Where to download Triode Push Pull Circuit Datasheet Application Note online for free? Are you looking for Triode Push Pull Circuit Datasheet Application Note PDF? This is definitely going to save you time and cash in something you should think about.

Find Triode Push Pull Circuit Datasheet Application Note :

[pro ai tools explained 20457 59121](#)

trending keyword research for moms 25190 63854

advanced keyword research online 27730 66394

affordable budgeting tips for moms 25710 64374

trending sleep hygiene tips online 21032 59696

pro index fund investing usa 25163 63827

simple home workout for creators 23757 62421

quick us national parks guide 24027 62691

ultimate keyword research for creators 18863 57527

ultimate keyword research for moms 24358 63022

pro content marketing strategy 24657 63321

ai video generator 26058 64722

advanced matcha health benefits 23312 61976

quick keyword research for creators 26275 64939

advanced keyword research explained 21394 60058

Triode Push Pull Circuit Datasheet Application Note :

the wonderful world of work a workbook for asper teens - Sep 22 2023

web mar 28 2014 booktopia has the wonderful world of work a workbook for asper teens a book for teenagers with asperger syndrome by jeanette purkis buy a discounted

downloadable free pdfs the wonderful world of work a - May 06 2022

web the wonderful world of work a workbook for asper the wonderful world of albert kahn dec 07 2022 until recently albert kahn s huge collection of 72 000 autochromes

the wonderful world of work a workbook for asper mark booth - Jan 02 2022

web the wonderful world of work a workbook for asper is friendly in our digital library an online entry to it is set as public as a result you can download it instantly

the wonderful world of work a workbook for asper teens by - Apr 05 2022

web the story of the world activity book 1 the wonderful world of work sue larkey what a wonderful world book categories cj fallon booktopia the wonderful world of work a

the wonderful world of work a workbook for asper teens - Aug 21 2023

web tags finding a job with asd job skills and asd working and asd this hands on workbook demystifies the world of work in

order to help teenagers with asperger

the wonderful world of work a workbook for asper teens - Jun 19 2023

web mar 21 2014 yenn purkis andrew hore illustrations 4 60 5 ratings1 review this hands on workbook demystifies the world of work in order to help teenagers with asperger

wonderful world of work a workbook for asper teens silvereye - Feb 15 2023

web this hands on workbook demystifies the world of work in order to help teenagers with asperger syndrome autism spectrum disorder feel confident in their ability to be

the wonderful world of work a workbook for asper pdf - Jul 08 2022

web this the wonderful world of work a workbook for asper but end going on in harmful downloads rather than enjoying a good pdf taking into account a mug of coffee in the

the wonderful world of work a workbook for asper teens - Jan 14 2023

web jan 1 2014 full of practical information engaging activities fun illustrations and inspiring personal stories this hands on workbook demystifies the world of work to help teens

the wonderful world of work a workbook for asper teens by - Oct 11 2022

web the wonderful world of work by yenn purkis overdrive goal setting amp action workbook live your legend the entire world of r vocalic r sayitright wonderful world 2 student s

the wonderful world of work a workbook for asper teens - Oct 23 2023

web mar 21 2014 this hands on workbook demystifies the world of work in order to help teenagers with asperger syndrome autism spectrum disorder feel confident in their

the wonderful world of work a workbook for asper teens - Mar 16 2023

web apr 21 2014 with a positive approach to résumé writing gaining work experience sound interview skills to what is expected in the workplace the wonderful world of work

wonderful world of work a workbook for asper teens jeanette - May 18 2023

web wonderful world of work a workbook for asper teens jeanette purkis a 34 95 this hands on workbook demystifies the world of work in order to help teenagers with

the wonderful world of work a workbook for asper teens - Apr 17 2023

web the wonderful world of work a workbook for asper teens author yenn purkis summary full of practical information engaging activities fun illustrations and inspiring personal

the wonderful world of work jessica kingsley publishers - Jul 20 2023

web mar 21 2014 this hands on workbook demystifies the world of work in order to help teenagers with asperger syndrome

autism spectrum disorder feel confident in their

the wonderful world of work a workbook for aspert john - Jun 07 2022

web download any of our books similar to this one merely said the the wonderful world of work a workbook for aspert is universally compatible in the manner of any devices to

the wonderful world of work a workbook for aspert pdf - Nov 12 2022

web the wonderful world of work a workbook for aspert thinking through the laboratory jul 15 2021 prompts students to predict think do and reflect during the course of a

pdf the wonderful world of work by jeanette purkis perlego - Dec 13 2022

web this hands on workbook demystifies the world of work in order to help teenagers with asperger syndrome autism spectrum disorder feel confident in their ability to be

the wonderful world of work a workbook for asper teens by - Feb 03 2022

web wonderful world of work a workbook for asper teens what a wonderful world brenda runkle wele to the wonderful world of geography the wonderful world of sharks

the wonderful world of work a workbook for aspert joshua - Aug 09 2022

web the wonderful world of work a workbook for aspert is available in our digital library an online access to it is set as public so you can get it instantly our digital library spans

the wonderful world of work a workbook for aspert - Mar 04 2022

web sep 19 2023 the the wonderful world of work a workbook for aspert is universally compatible with any devices to read william bee s wonderful world of things that go

online store ndis provider of sensory toys australia - Sep 10 2022

web we would like to show you a description here but the site won t allow us

electric power systems components transformers and rotating machines - May 05 2022

web abstract the main components of electric power systems are discussed the book not only covers all the basic fundamentals but updates obsolete treatments and presents comprehensive coverage of important developments in electric power engineering

electrical transformers and rotating machines worldcat org - Sep 09 2022

web with a focus on transformers generators and motors the text presents nine experiments that allow for practical application of the presented material students begin with single phase isolation transformers and progress through

electrical transformers and rotating machines herman stephen - Sep 21 2023

web jul 28 2021 electrical transformers and rotating machines by herman stephen l publication date 1999 topics electric

transformers electric generators electric motors publisher albany delmar publishers collection inlibrary printdisabled internetarchivebooks contributor internet archive language

electrical transformers and rotating machines cengage learning - Jul 19 2023

web electrical transformers and rotating machines view as student by stephen l herman 4th edition copyright 2017 written for students aspiring to become electricians electrical transformers and rotating machines 4e delivers comprehensive coverage that reflects real world practice contents resources pricing

electrical transformers and rotating machines amazon com - Apr 16 2023

web jun 6 2011 electrical transformers and rotating machines 125 14 45 in stock reflecting new technologies and the latest practices in the field electrical transformers and rotating machines 3e delivers thorough coverage of theory and practical applications of electrical machines

electrical transformers and rotating machines worldcat org - Feb 14 2023

web summary written specifically for future electricians electrical transformers and rotating machines 4e delivers comprehensive coverage that reflects real world practice extremely student friendly the book uses common language in a format that is easy to understand

electrical transformers rotating machines ijme - Dec 12 2022

web electrical transformers rotating machines second edition stephen l herman thomas delmar learning the second edition of this textbook provides a comprehensive explanation of theory and practical applications of electrical machines a basic knowledge of electrical theory is needed to fully comprehend the content of this textbook

electrical transformers and rotating machines google books - Aug 20 2023

web jan 6 2016 electrical transformers and rotating machines stephen l herman cengage learning jan 6 2016 education 624 pages written for future electricians electrical transformers and rotating

electrical transformer circuit globe - Mar 03 2022

web definition the transformer is the static device which works on the principle of electromagnetic induction it is used for transferring the electrical power from one circuit to another without any variation in their frequency in electromagnetic induction the transfer of energy from one circuit to another takes places by the help of the mutual induction i e

electrical transformers and rotating machines 4th edition chegg - Apr 04 2022

web our interactive player makes it easy to find solutions to electrical transformers and rotating machines 4th edition problems you re working on just go to the chapter for your book hit a particularly tricky question

electrical transformers and rotating machines amazon com - Jun 18 2023

web jan 1 2016 written specifically for future electricians electrical transformers and rotating machines 4e delivers

comprehensive coverage that reflects real world practice extremely student friendly the book uses common language in a format that is easy to understand

[4 4 rotating machines engineering libretxts](#) - Oct 10 2022

web introduction to electric power systems kirtley 4 introduction to symmetrical components 4 4 rotating machines page id james kirtley

[rotating electrical machine an overview sciencedirect topics](#) - Jun 06 2022

web rotating electrical machine motors rotating electrical machines which convert electrical power into mechanical power from offshore wind farms 2016 related terms energy engineering antenna amplifier telephone rotors amplitudes audio frequency electric potential measurer transducer

electrical transformers and rotating machines bartleby - Jul 07 2022

web written specifically for future electricians electrical transformers and rotating machines 4e delivers comprehensive coverage that reflects real world practice extremely student friendly the book uses common language in a format that is easy to understand

electrical transformers and rotating machines 4th edition - Mar 15 2023

web written for students aspiring to become electricians electrical transformers and rotating machines 4e delivers comprehensive coverage that reflects real world practice completely up to date it includes expansive coverage of magnetic measurements exponential curves control transformers transformer nameplates transformer sizing

[electrical transformers and rotating machines paperback](#) - Aug 08 2022

web written specifically for future electricians electrical transformers and rotating machines 4e delivers comprehensive coverage that reflects real world practice extremely student friendly the book uses common language in a format that is easy to understand

electrical transformers and rotating machines google books - May 17 2023

web jun 6 2011 stephen l herman cengage learning jun 6 2011 education 608 pages reflecting new technologies and the latest practices in the field electrical transformers and rotating machines 3e combines a current comprehensive explanation of theory with practical applications of electrical machines

electrical transformers and rotating machines cengage asia - Oct 22 2023

web copyright 2017 published 624 pages list price usd 202 95 isbn 9781305494817 written specifically for future electricians electrical transformers and rotating machines 4e delivers comprehensive coverage that reflects real world practice extremely student friendly the book uses common language in a format that is

electrical transformers and rotating machines google books - Jan 13 2023

web 0 reviews this book is an excellent resource for electrical students and professionals who need a comprehensive explanation of theory and practical applications of electrical machines the book includes nine experiments enabling readers to reinforce the theory discussed earlier

electric power system components transformers and rotating machines - Nov 11 2022

web about this book there are good reasons why the subject of electric power engineering after many years of neglect is making a comeback in the undergraduate curriculum of many electrical engineering departments the most obvious

ehevertrag und vermögenszuordnung unter ehegatten by - Sep 04 2022

web may 13th 2020 5 aktuelle vertragsmuster bietet dieser band für eheverträge und vermögenszuordnung vom einfachen ehevertrag über den ehevertrag des unternehmers oder freiberufers bis zur ausländerehe alternativen

ehevertrag und vermögenszuordnung unter ehegatten - Dec 07 2022

web ehevertrag und vermögenszuordnung unter ehegatten die begrenzung des geschiedenenunterhaltes nach dauer und umfang zeitschrift für das gesamte familienrecht erfolgreiche verhandlungsführung und konfliktmanagement durch notare ehevertrag und vermögenszuordnung unter ehegatten erbschaftsteuerrecht deutsche

2169 evlendirme yÖnetmeliĞİ mevzuat - Jan 28 2022

web 2170 d dú temsilcilik diplomatik temsilciliklerle konsoloslukları e ergin onsekiz yaúını tamamlamıú kiúiyi f deĐişik 29 12 2014 2014 7126 k evlenme bir kadın ve bir erkeĐin usulüne göre yetki verilmiú bir memur önünde bir aile kurmak amacı ile yapmıú oldukları medenî hukuk söz

musterverträge ehevertrag und vermögenszuordnung unter ehegatten - May 12 2023

web jul 26 2021 ehevertrag und vermögenszuordnung unter ehegatten reihe beck sche musterverträge münchen c h beck 2021 219 seiten 49 00 euro inkl mwst isbn 978 3 406 76389 2 beck shop de viele ehedpartner scheuen den gang zum notar um einen ehevertrag oder eine scheidungsfolgenvereinbarung beurkunden zu lassen

ehevertrag und vermögenszuordnung unter ehegatten pdf - Jan 08 2023

web ehevertrag und vermögenszuordnung unter ehegatten pdf introduction ehevertrag und vermögenszuordnung unter ehegatten pdf pdf die brautgabe im familienvermögensrecht nadjma yassari 2014 07 25 english summary the dowry in islamic law mahr is a key figure of classical islamic marriage law which was adopted in

ehevertrag und vermögenszuordnung unter ehegatten - Mar 10 2023

web auf unserer webseite werden neben den technisch erforderlichen cookies noch cookies zur statistischen auswertung gesetzt sie können die website auch ohne diese cookies nutzen

pdf ehevertrag und vermögenszuordnung unter ehegatten - Apr 11 2023

web ehevertrag und vermögenszuordnung unter ehegatten der besondere teil des neuen chinesischen zivilgesetzbuches jun

12 2021 am 1 1 2021 trat das am 28 05 2020 verabschiedete neue zivilgesetzbuch der volksrepublik china zgb in kraft dies stellt einen bedeutenden schritt auf dem bis zum beginn des 20 jh in die qing

ehevertrag und vermögenszuordnung unter ehgatten - Oct 05 2022

web ehevertrag und vermögenszuordnung unter ehgatten 5 5 management und mitarbeiterbeteiligung krisenmanagement familienverfassung family governance und familienstiftungen die ausführungen zeigen gestaltungsmöglichkeiten auf weise auf denkbare handlungsalternativen hin und enthalten viele beispiele und

ehevertrag und vermögenszuordnung unter ehgatten bokus - Feb 26 2022

web köp ehevertrag und vermögenszuordnung unter ehgatten av christoph dorsel günter brambring skickas inom 5 8 vardagar fri frakt över 199 kr välkommen till bokus bokhandel

ehevertrag und vermögenszuordnung unter ehgatten beck - Aug 15 2023

web ehevertrag und vermögenszuordnung unter ehgatten einzeldarstellung buch softcover 8 auflage 2021 ix 219 s mit freischaltcode zum download der vertragsmuster c h beck isbn 978 3 406 76389 2 format b x l 16 0 x 24 0 cm

evlilik birliğinde eşlerin ortak hak ve yükümlülükleri - Dec 27 2021

web oct 22 2018 eşlerin evlilik birliği süresince sahip oldukları ortak hak ve yükümlülükler 4721 sayılı türk medeni kanunu tmk evliliğin genel hükümleri başlıklı 3 bölümde a haklar ve yükümlülükler alt başlığı altında düzenlenmiş olup yasa koyucu tarafından tmk 185 maddede evlenmeyle eşler arasında evlilik birliği kurulmuş olur

ehevertrag und vermögenszuordnung unter ehgatten bol com - Nov 06 2022

web ehevertrag und vermögenszuordnung unter ehgatten paperback lekker winkelen zonder zorgen gratis verzending vanaf 20 bezorging dezelfde dag s avonds of in het weekend

ehevertrag und vermögenszuordnung unter ehgatten taschenbuch amazon de - Jun 13 2023

web ehevertrag und vermögenszuordnung unter ehgatten dorsel christoph isbn 9783406763892 kostenloser versand für alle bücher mit versand und verkauf durch amazon

ehevertrag und vermögenszuordnung unter ehgatten - Aug 03 2022

web ehevertrag und vermögenszuordnung unter ehgatten downloaded from bk swordsswords com by guest cayden weston 2009 herbert utz verlag iv schuldrechtliche ansprüche 4 ehevertrag und vermögenszuordnung unter ehgatten 2021 11 29 more than 560 000 scholarly works are listed the database

ehevertrag mit haus vermögensaufteilung mehr - Jun 01 2022

web diese frage sollte ein ehevertrag mit haus möglichst beantworten um streitigkeiten bei einer scheidung zu vermeiden hierbei kann zb vereinbart werden dass der vermögendere ehpartner die immobilie behält und ausgleichszahlungen an den anderen partner bezahlt der bei scheidung auszieht

ehevertrag und vermögenszuordnung unter ehgatten - Jul 02 2022

web möglichkeiten und grenzen der rechtsangleichung durch vertragliche vereinbarungen im rahmen der vermögensauseinandersetzung bei ehescheidung im deutsch österreichischen rechtsverkehr deutsche rechtsbibliographie ehevertrag und vermögenszuordnung unter ehgatten downloaded from ftp orioleresources com by guest aiyana ramirez

ehevertrag und vermögenszuordnung unter ehgatten allegro - Apr 30 2022

web ehevertrag und vermögenszuordnung unter ehgatten książka darmowa dostawa z allegro smart najwięcej ofert w jednym miejscu radość zakupów 100 bezpieczeństwa dla każdej transakcji kup teraz

ehevertrag und vermögenszuordnung unter ehgatten copy - Mar 30 2022

web ehevertrag und vermögenszuordnung unter ehgatten zeitschrift für das gesamte familienrecht die europäische vereinheitlichung des internationalen ehgüterrechts und des internationalen güterrechts für eingetragene partnerschaften

beck shop de ehevertrag und vermögenszuordnung unter ehgatten - Jul 14 2023

web i die bedeutung der vermögenszuordnung unter eh gatten bei scheidung der ehe im haftungsfall eines ehgatten und im erbfall 144 1 vorsorge für den haftungsfall 145 2 vorsorge für den scheidungsfall 146 3

ehevertrag und vermögenszuordnung unter ehgatten pdf - Feb 09 2023

web ehevertrag und vermögenszuordnung unter ehgatten pdf pages 2 13 ehevertrag und vermögenszuordnung unter ehgatten pdf upload donald i murray 2 13 downloaded from red ortax org on september 4 2023 by donald i murray gemeinsame kinder vermögensauseinandersetzung zugewinnausgleich steuerliche folgen