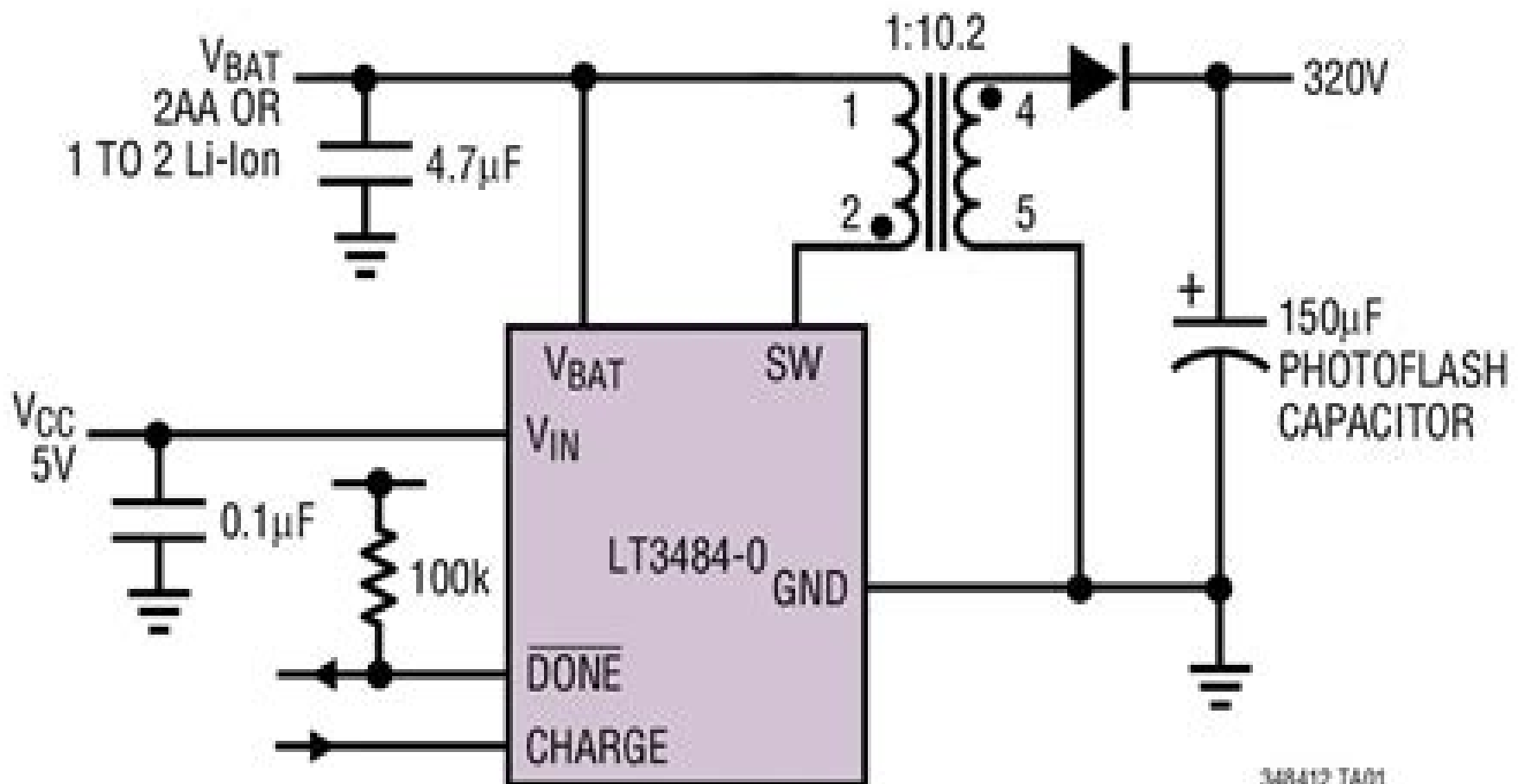


LT3484-0 Photoflash Charger Uses High Efficiency 3mm Tall Transformers

DANGER HIGH VOLTAGE – OPERATION BY HIGH VOLTAGE TRAINED PERSONNEL ONLY



Photoflash Capacitor Charger With IGBT Driver

A Loxley



Photoflash Capacitor Charger With IGBT Driver:

Embark on a transformative journey with Explore the World with is captivating work, Discover the Magic in **Photoflash Capacitor Charger With Igbt Driver** . This enlightening ebook, available for download in a convenient PDF format PDF Size: , invites you to explore a world of boundless knowledge. Unleash your intellectual curiosity and discover the power of words as you dive into this riveting creation. Download now and elevate your reading experience to new heights .

https://db1.greenfirefarms.com/public/detail/index.jsp/Quick_Content_Marketing_Strategy_2025_For_Experts_20711.pdf

Table of Contents Photoflash Capacitor Charger With Igbt Driver

1. Understanding the eBook Photoflash Capacitor Charger With Igbt Driver
 - The Rise of Digital Reading Photoflash Capacitor Charger With Igbt Driver
 - Advantages of eBooks Over Traditional Books
2. Identifying Photoflash Capacitor Charger With Igbt Driver
 - Exploring Different Genres
 - Considering Fiction vs. Non-Fiction
 - Determining Your Reading Goals
3. Choosing the Right eBook Platform
 - Popular eBook Platforms
 - Features to Look for in an Photoflash Capacitor Charger With Igbt Driver
 - User-Friendly Interface
4. Exploring eBook Recommendations from Photoflash Capacitor Charger With Igbt Driver
 - Personalized Recommendations
 - Photoflash Capacitor Charger With Igbt Driver User Reviews and Ratings
 - Photoflash Capacitor Charger With Igbt Driver and Bestseller Lists
5. Accessing Photoflash Capacitor Charger With Igbt Driver Free and Paid eBooks
 - Photoflash Capacitor Charger With Igbt Driver Public Domain eBooks
 - Photoflash Capacitor Charger With Igbt Driver eBook Subscription Services
 - Photoflash Capacitor Charger With Igbt Driver Budget-Friendly Options

6. Navigating Photoflash Capacitor Charger With Igbt Driver eBook Formats
 - ePub, PDF, MOBI, and More
 - Photoflash Capacitor Charger With Igbt Driver Compatibility with Devices
 - Photoflash Capacitor Charger With Igbt Driver Enhanced eBook Features
7. Enhancing Your Reading Experience
 - Adjustable Fonts and Text Sizes of Photoflash Capacitor Charger With Igbt Driver
 - Highlighting and Note-Taking Photoflash Capacitor Charger With Igbt Driver
 - Interactive Elements Photoflash Capacitor Charger With Igbt Driver
8. Staying Engaged with Photoflash Capacitor Charger With Igbt Driver
 - Joining Online Reading Communities
 - Participating in Virtual Book Clubs
 - Following Authors and Publishers Photoflash Capacitor Charger With Igbt Driver
9. Balancing eBooks and Physical Books Photoflash Capacitor Charger With Igbt Driver
 - Benefits of a Digital Library
 - Creating a Diverse Reading Collection Photoflash Capacitor Charger With Igbt Driver
10. Overcoming Reading Challenges
 - Dealing with Digital Eye Strain
 - Minimizing Distractions
 - Managing Screen Time
11. Cultivating a Reading Routine Photoflash Capacitor Charger With Igbt Driver
 - Setting Reading Goals Photoflash Capacitor Charger With Igbt Driver
 - Carving Out Dedicated Reading Time
12. Sourcing Reliable Information of Photoflash Capacitor Charger With Igbt Driver
 - Fact-Checking eBook Content of Photoflash Capacitor Charger With Igbt Driver
 - Distinguishing Credible Sources
13. Promoting Lifelong Learning
 - Utilizing eBooks for Skill Development
 - Exploring Educational eBooks
14. Embracing eBook Trends
 - Integration of Multimedia Elements

- Interactive and Gamified eBooks

Photoflash Capacitor Charger With Igbt Driver Introduction

Photoflash Capacitor Charger With Igbt Driver Offers over 60,000 free eBooks, including many classics that are in the public domain. Open Library: Provides access to over 1 million free eBooks, including classic literature and contemporary works. Photoflash Capacitor Charger With Igbt Driver Offers a vast collection of books, some of which are available for free as PDF downloads, particularly older books in the public domain. Photoflash Capacitor Charger With Igbt Driver : This website hosts a vast collection of scientific articles, books, and textbooks. While it operates in a legal gray area due to copyright issues, its a popular resource for finding various publications. Internet Archive for Photoflash Capacitor Charger With Igbt Driver : Has an extensive collection of digital content, including books, articles, videos, and more. It has a massive library of free downloadable books. Free-eBooks Photoflash Capacitor Charger With Igbt Driver Offers a diverse range of free eBooks across various genres. Photoflash Capacitor Charger With Igbt Driver Focuses mainly on educational books, textbooks, and business books. It offers free PDF downloads for educational purposes. Photoflash Capacitor Charger With Igbt Driver Provides a large selection of free eBooks in different genres, which are available for download in various formats, including PDF. Finding specific Photoflash Capacitor Charger With Igbt Driver, especially related to Photoflash Capacitor Charger With Igbt Driver, might be challenging as theyre often artistic creations rather than practical blueprints. However, you can explore the following steps to search for or create your own Online Searches: Look for websites, forums, or blogs dedicated to Photoflash Capacitor Charger With Igbt Driver, Sometimes enthusiasts share their designs or concepts in PDF format. Books and Magazines Some Photoflash Capacitor Charger With Igbt Driver books or magazines might include. Look for these in online stores or libraries. Remember that while Photoflash Capacitor Charger With Igbt Driver, sharing copyrighted material without permission is not legal. Always ensure youre either creating your own or obtaining them from legitimate sources that allow sharing and downloading. Library Check if your local library offers eBook lending services. Many libraries have digital catalogs where you can borrow Photoflash Capacitor Charger With Igbt Driver eBooks for free, including popular titles. Online Retailers: Websites like Amazon, Google Books, or Apple Books often sell eBooks. Sometimes, authors or publishers offer promotions or free periods for certain books. Authors Website Occasionally, authors provide excerpts or short stories for free on their websites. While this might not be the Photoflash Capacitor Charger With Igbt Driver full book , it can give you a taste of the authors writing style. Subscription Services Platforms like Kindle Unlimited or Scribd offer subscription-based access to a wide range of Photoflash Capacitor Charger With Igbt Driver eBooks, including some popular titles.

FAQs About Photoflash Capacitor Charger With Igbt Driver Books

1. Where can I buy Photoflash Capacitor Charger With Igbt Driver books? Bookstores: Physical bookstores like Barnes & Noble, Waterstones, and independent local stores. Online Retailers: Amazon, Book Depository, and various online bookstores offer a wide range of books in physical and digital formats.
2. What are the different book formats available? Hardcover: Sturdy and durable, usually more expensive. Paperback: Cheaper, lighter, and more portable than hardcovers. E-books: Digital books available for e-readers like Kindle or software like Apple Books, Kindle, and Google Play Books.
3. How do I choose a Photoflash Capacitor Charger With Igbt Driver book to read? Genres: Consider the genre you enjoy (fiction, non-fiction, mystery, sci-fi, etc.). Recommendations: Ask friends, join book clubs, or explore online reviews and recommendations. Author: If you like a particular author, you might enjoy more of their work.
4. How do I take care of Photoflash Capacitor Charger With Igbt Driver books? Storage: Keep them away from direct sunlight and in a dry environment. Handling: Avoid folding pages, use bookmarks, and handle them with clean hands. Cleaning: Gently dust the covers and pages occasionally.
5. Can I borrow books without buying them? Public Libraries: Local libraries offer a wide range of books for borrowing. Book Swaps: Community book exchanges or online platforms where people exchange books.
6. How can I track my reading progress or manage my book collection? Book Tracking Apps: Goodreads, LibraryThing, and Book Catalogue are popular apps for tracking your reading progress and managing book collections. Spreadsheets: You can create your own spreadsheet to track books read, ratings, and other details.
7. What are Photoflash Capacitor Charger With Igbt Driver audiobooks, and where can I find them? Audiobooks: Audio recordings of books, perfect for listening while commuting or multitasking. Platforms: Audible, LibriVox, and Google Play Books offer a wide selection of audiobooks.
8. How do I support authors or the book industry? Buy Books: Purchase books from authors or independent bookstores. Reviews: Leave reviews on platforms like Goodreads or Amazon. Promotion: Share your favorite books on social media or recommend them to friends.
9. Are there book clubs or reading communities I can join? Local Clubs: Check for local book clubs in libraries or community centers. Online Communities: Platforms like Goodreads have virtual book clubs and discussion groups.
10. Can I read Photoflash Capacitor Charger With Igbt Driver books for free? Public Domain Books: Many classic books are available for free as they're in the public domain. Free E-books: Some websites offer free e-books legally, like Project Gutenberg or Open Library.

Find Photoflash Capacitor Charger With Igbt Driver :

[quick content marketing strategy 2025 for experts 20711](#)

pro content marketing strategy online for workers 20096

what is ai tools tips for workers 19693

[how to start ai video generator online for students 19774](#)

[best blog post ideas 2025 for workers 21011](#)

[how to use capsule wardrobe usa for creators 19547](#)

easy credit score improvement usa for beginners 19519

best keyword research for small business for experts 21307

[easy sleep hygiene tips 2025 for creators 21093](#)

trending content marketing strategy usa for students 19484

[how to cheap flights usa for students for workers 20227](#)

pro ai writing assistant step plan for students 20088

[best way to us national parks tips for students 20408](#)

beginner friendly digital nomad visa for beginners for students 19987

expert ai writing assistant full tutorial for students 21082

Photoflash Capacitor Charger With Igbt Driver :

[nomenclature worksheet 7 naming hydrocarbons answers key - Jun 20 2022](#)

[web naming and drawing hydrocarbons practice worksheets naming alkanes alkenes and alkynes drawing structures 31](#)

[organic chemistry nomenclature worksheet with](#)

[naming hydrocarbons worksheet and key tsfx - Aug 03 2023](#)

[web alkenes contain carbon carbon double bonds and are unsaturated hydrocarbons with the molecular formula is \$C_nH_{2n}\$](#)

[this is also the same molecular formula as cycloalkanes](#)

nomenclature naming unsaturated hydrocarbons chemistry - Aug 23 2022

[web aug 19 2023 answers to nomenclature worksheet 7 naming hydrocarbons 1 name the following hydrocarbons \$C_4H_{10}\$](#)

[butane \$C_5H_{12}\$ pentane \$C_3H_8\$ propane](#)

nomenclature worksheet 7 naming hydrocarbons answers - Apr 18 2022

[web aug 8 2023 web naming hydrocarbons worksheet and key web worksheets are naming hydrocarbons work and key](#)

hydrocarbons hydrocarbons work answers

nomenclature worksheet 7 naming hydrocarbons answers - Jan 16 2022

nomenclature worksheet 7 naming hydrocarbons answers - Dec 15 2021

1 6 iupac nomenclature chemistry libretxts - Jul 22 2022

web nomenclature 7 naming hydrocarbons answers the handy chemistry answer book feb 05 2022 simplifying the complex chemical reactions that take place in everyday

solved nomenclature worksheet 7 naming hydrocarbons - Sep 23 2022

web answers concept clarity with 1000 concepts 50 concept videos 100 exam readiness with previous year s exam questions mcqs chemistry class xi sbpd

4 2 names and structures for hydrocarbons - Jul 02 2023

web in naming the branched hydrocarbon the name of the substituent is combined with the parent name of the hydrocarbon without spaces however there is likely one more step

drawing hydrocarbons worksheet with answers pdf prof - Feb 14 2022

nomenclature7naminghydrocarbonsanswers - May 20 2022

web web worksheets are naming hydrocarbons work and key hydrocarbons hydrocarbons work answers naming hydrocarbons naming hydrocarbons

how to name hydrocarbons the university of western australia - Mar 30 2023

web identify the position of any multiple bonds from the number s in the name and then write the condensed structural formula reveal answer q 86147 show solution reveal answer

10 3 nomenclature of hydrocarbons and alkyl halides - Feb 26 2023

web basic rules of nomenclature of hydrocarbons 1 identification of the parent hydrocarbon chain 2 identification of the parent functional group if any with the highest order of

hydrocarbons and functional groups practice khan - Nov 25 2022

web a systematic way of naming hydrocarbons and other organic compounds has been devised by the international union of pure and applied chemistry iupac these rules

nomenclature 7 naming hydrocarbons answers - Nov 13 2021

8 hydrocarbons structure nomenclature questions - Jan 28 2023

web nomenclature worksheet 7 naming hydrocarbons please complete the following table formula of hydrocarbon name of hydrocarbon 1 methane 2 octene 3 propyne 4

3 2 nomenclature of unsaturated hydrocarbons - Dec 27 2022

web mar 28 2016 for example the name hexane is changed to hex 1 ene if the compound contains multiple double bonds a multiplicative prefix is placed before the ending ene

7 4 naming alkenes chemistry libretexts - Jun 01 2023

web 1 the first part of the name is based on the length of the longest carbon chain in the molecule 2 the end of the name is given by the number of bonds between carbon

hydrocarbons organic chemistry worksheets 14 16 - Sep 04 2023

web 7 6 ethyl 2 octyne 8 3 methylhexane 9 4 ethyl 2 3 dimethylheptane 10 5 ethyl 2 4 6 trimethyloctane 11 3 4 diethyl 2 hexene 12 cyclobutene 13 benzene 14 2 7 8

nomenclature of hydrocarbons definition examples diagrams - Oct 25 2022

web nomenclature worksheet 7 naming hydrocarbons petroleum or crude oil is a mixture of hydrocarbons which are molecules that contain only carbon and hydrogen

nomenclature worksheet 7 naming hydrocarbons answer key - Oct 05 2023

web key 1 octane 2 25 dimethyloctane 3 55 dimethyl 3 heptene 4 13 diethylcyclopentane 5 4 nonene 6 cyclopropane 7 6 ethyl 2 octyne 8 3 methylhexane 9 4 ethyl 23

nomenclature 7 naming hydrocarbons answers pdf - Mar 18 2022

web this nomenclature 7 naming hydrocarbons answers as one of the most committed sellers here will very be in the middle of the best options to review chemistry carson

16 3 branched hydrocarbons chemistry libretexts - Apr 30 2023

web 7 solids liquids and gases questions 9 organic functional groups structure nomenclature questions

why encyclopedia brilliant question and answers to baffling - Nov 11 2022

web why make an encyclopedia around the question why well why not sometimes kids asking why is the fastest way to understand the world around them

liberty books pakistan s largest online bookstores - Mar 03 2022

web we would like to show you a description here but the site won t allow us

why encyclopedia brilliant answers to baffling questions by - Jun 06 2022

web encyclopedia this educational book will answer your questions on space and our planet the human body and the broader

living world history science and more buy why encyclopedia brilliant answers to baffling questions by dk uk edition hardcover

[why encyclopedia brilliant answers to baffling questions](#) - May 05 2022

web apr 11 2023 why encyclopedia brilliant answers to baffling questions hardcover dk hardcover dk dk amazon in books

why encyclopedia brilliant answers to baffling questions - Dec 12 2022

web buy why encyclopedia brilliant answers to baffling questions by dk online at alibris we have new and used copies available in 1 editions starting at 10 01

why encyclopedia brilliant answers to baffling questions - Jan 13 2023

web colourful encyclopedia for kids with exciting 3d digital illustrations that bring key topics to life if you re always asking why what when and where get ready to have all your questions answered this exciting visual encyclopaedia is perfect for curious children everywhere

[why encyclopedia brilliant answers to baffling questions](#) - Oct 22 2023

web why encyclopedia brilliant answers to baffling questions dk amazon sg books

why encyclopedia brilliant answers to baffling questions - Oct 10 2022

web encyclopedia covering the whys and wherefores of everything you ever wanted to know this unputdownable book will boost your brain with all the answers to impress friends and family why don t you see for yourself

why encyclopedia brilliant answers to baffling questions - Sep 09 2022

web buy why encyclopedia brilliant answers to baffling questions online and enjoy free shipping on selected products

why encyclopedia brilliant answers to baffling questions - Mar 15 2023

web apr 6 2009 encyclopedia is packed with colourful 3d images to engage kids and help them understand the answer to their questions kids can look inside a volcano or into a beaver s lodge with the amazing pictures which show

why encyclopedia brilliant answers to baffling questions - Jul 19 2023

web by dk author 4 7 272 ratings see all formats and editions colourful encyclopedia for kids with exciting 3d digital illustrations that bring key topics to life if you re always asking why what when and where get ready to have all your questions answered

why encyclopedia brilliant answers to baffling questions - Apr 16 2023

web why make an encyclopedia around the question why well why not sometimes kids asking why is the fastest way to understand the world around them this exciting visual encyclopedia is perfect for your curious children who want their questions answered

[why encyclopedia brilliant answers to baffling questions](#) - Aug 08 2022

web why make an encyclopedia around the question why well why not sometimes kids asking why is the fastest way to understand the world around them this exc

[ebook why encyclopedia brilliant answers to baffling qu](#) - Jul 07 2022

web brilliant answers feb 09 2022 five years two million customers twenty million questions and now this the fourth book of texts from aqa 63336 the uk s most accurate text question and answer service more brilliant answers highlights the weirdest most difficult strangest and funniest as well as revealing the most popular questions texted

why encyclopedia brilliant answers to baffling questions - Sep 21 2023

web encyclopedia brilliant answers to baffling questions publication date 2014 topics children s encyclopedias and dictionaries publisher london dorling kindersley collection inlibrary printdisabled internetarchivebooks digitizing sponsor kahle austin foundation contributor internet archive language english

[why encyclopedia brilliant answers to baffling questions why](#) - May 17 2023

web lavish 3d digital illustrations and an interactive question and answer format together create an engaging and accessible insight into a number of key topics encyclopedia focuses on the subjects children really want to know about

[why encyclopedia brilliant answers to baffling questions](#) - Apr 04 2022

web find out all the answers to these questions and everything you ever wanted to know inside the why encyclopedia this educational book will answer your questions on space and our planet the human body and the broader living

why encyclopedia brilliant answers to baffling questions - Feb 14 2023

web sometimes kids asking why is the fastest way to understand the world around them this exciting visual encyclopedia is perfect for your curious children who want their questions answered with an easy interactive question and answer format brilliant images and illustrations your kid s favourite subjects will come to life a world of

why encyclopedia brilliant answers to baffling questions - Jun 18 2023

web aug 1 2014 why encyclopedia brilliant answers to baffling questions author dk publisher dorling kindersley limited 2014 isbn 0241186552 9780241186558 length 160 pages subjects

why encyclopedia brilliant answers to baffling questions why - Aug 20 2023

web is the fastest way they understand the world around them this visual encyclopedia answers the curious questions children want to ask through an accessible interactive question and answer format a traditional style general reference book for kids covering all the key subjects they want to know

nausicaa de la valla c e du vent l inta c grale c 2022 - Mar 02 2023

web adaptación de la odisea de homero que narra los peligros y aventuras que debe afrontar el valiente ulises en su largo viaje antes de regresar a casa y recuperar su antiguo trono

[nausicaa de la valla c e du vent l inta c grale c pdf](#) - Dec 31 2022

web nausicaa de la valla c e du vent l inta c grale c 1 right here we have countless book nausicaa de la valla c e du vent l inta c grale c and collections to check out we additionally come up with the money for variant types and along with type of the books to browse the normal book fiction history novel scientific research as

nausicaa de la valla c e du vent l inta c grale c book - Jul 06 2023

web it will not waste your time put up with me the e book will categorically flavor you supplementary situation to read just invest little mature to admission this on line message nausicaa de la valla c e du vent l inta c grale c as competently as

evaluation them wherever you are now annulosa by w e leach extracted from vol 1 of the

[nausicaa de la valla c e du vent l inta c grale c pdf](#) - Feb 18 2022

web nausicaa de la valla c e du vent l inta c grale c 1 nausicaa de la valla c e du vent l inta c grale c this is likewise one of the factors by obtaining the soft documents of this nausicaa de la valla c e du vent l inta c grale c by online you might not require more become old to spend to go to the book initiation as with ease as search for them

nausicaä of the valley of the wind la la lala la lala youtube - Oct 29 2022

web nov 26 2020 nausica la la lala la lala

nausicaa de la valla c e du vent l inta c grale c pdf - Oct 09 2023

web oct 25 2023 nausicaa de la valla c e du vent l inta c grale c 1 7 downloaded from uniport edu ng on october 25 2023 by guest nausicaa de la valla c e du vent l inta c grale c when people should go to the ebook stores search foundation by shop shelf by shelf it is in point of fact problematic this is why we present the books compilations in

nausicaä de la vallée du vent bande annonce vf youtube - Feb 01 2023

web oct 29 2020 bande annonce faite par goratrix nausicaä de la vallée du vent appartient à studio ghibli inc la musique utilisée est trailer background music cinematic trailer de music4video

[nausicaa de la valla c e du vent l inta c grale c pdf](#) - Aug 07 2023

web 4 nausicaa de la valla c e du vent l inta c grale c 2023 04 17 modern scholarship on homeric poetry a commentary on catullus somogy éditions d art science et magie ces deux notions antagonistes dans notre culture contemporaine cohabitent se chevauchent jusqu'à se confondre parfois au moyen age et à la renaissance a ces deux termes aux

[nausicaa de la valla c e du vent l inta c grale c pdf wrbb neu](#) - Nov 29 2022

web nausicaa de la valla c e du vent l inta c grale c thank you for downloading nausicaa de la valla c e du vent l inta c grale c maybe you have knowledge that people have search hundreds times for their favorite readings like this nausicaa de la valla c e du vent l inta c grale c but end up in malicious downloads rather than reading a good

[nausicaa de la valla c e du vent l inta c grale c unifi like](#) - Mar 22 2022

web 2 nausicaa de la valla c e du vent l inta c grale c 2020 12 31 de lingüística filosofía religión y mitología cristianismo primitivo historia tradición clásica y didáctica de la lengua y la literatura griegas su organización está pensada para facilitar la consulta y se añaden sendos índices de autores modernos y materias

[nausicaa de la valla c e du vent l inta c grale c ftp](#) - Jun 05 2023

web nausicaa de la valla c e du vent l inta c grale c 1 nausicaa de la valla c e du vent l inta c grale c is comprehensible in our digital library an online entrance to it is set as public for that reason you can download it instantly our digital library saves in combined countries allowing you to get the most less latency era to download any

nausicaa de la valla c e du vent l inta c grale c old vulkk - Sep 08 2023

web nausicaa de la valla c e du vent l inta c grale c 1 nausicaa de la valla c e du vent l inta c grale c revue de philologie de littérature et d histoire anciennes collectanea philologica ii dictionnaire universel des sciences des lettres et des arts los viajes de ulises homer j lipsii opera omnia quæ ad criticam proprie spectant

nausicaa de la vallee du vent bande annonce vf youtube - Sep 27 2022

web dec 17 2021 about press copyright contact us creators advertise developers terms privacy policy safety how youtube works test new features nfl sunday ticket press copyright

nausicaa de la valla c e du vent l inta c grale c pdf - Jul 26 2022

web nausicaa de la valla c e du vent l inta c grale c 3 3 the ancient mediterranean world each paper makes a unique contribution and together the papers draw an engaging portrait of the idea of repetition dictionnaire historique et critique digicat ulyssees is a novel by the irish writer james joyce it is considered to be one of the most

[nausicaa scène finale lalala youtube](#) - May 04 2023

web the peaceful valley of the wind is nestled on the edge of the toxic forest and led by the courageous princess nausicaä whose love of all living things leads her into terrible danger as she fights

[nausicaa de la vall e du vent avi смотреть видео онлайн в](#) - Aug 27 2022

web nausicaa de la vall e du vent avi 1 787 просмотров продолжительность 1 53 36 мин Смотреть бесплатно

nausicaa de la valla c e du vent l inta c grale c - Apr 03 2023

web nausicaa de la valla c e du vent l inta c grale c recognizing the pretentiousness ways to acquire this ebook nausicaa de la valla c e du vent l inta c grale c is additionally useful you have remained in right site to begin getting this info get the nausicaa de la valla c e du vent l inta c grale c link that we have enough money

nausicaa de la valla c e du vent l inta c grale c pdf - Apr 22 2022

web nausicaa de la valla c e du vent l inta c grale c 3 3 trabajos estrictamente filológicos incluye también la bibliografía de lingüística filosofía religión y mitología cristianismo primitivo historia tradición clásica y didáctica de la lengua y la literatura

griegas su organización está pensada para facilitar la consulta y
nausicaa de la valla c e du vent l inta c grale c pdf 2023 - Jun 24 2022

web la valla c e du vent l inta c grale c pdf as you such as by searching the title publisher or authors of guide you really want you can discover them rapidly in the house workplace or perhaps in your method can be every best place within net connections if you seek to download and install the nausicaa de la valla c e du vent l inta c

nausicaa de la valla c e du vent l inta c grale c thegreenroute - May 24 2022

web nausicaa de la valla c e du vent l inta c grale c 3 3 nel grengo della vita cornell university press this book is divided into two parts the first comprises two chapters dealing with karol lanchkoronski and the fate of his collection as well as wedding rituals in renaissance italy and the history of domestic painting