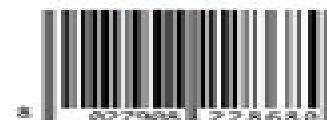
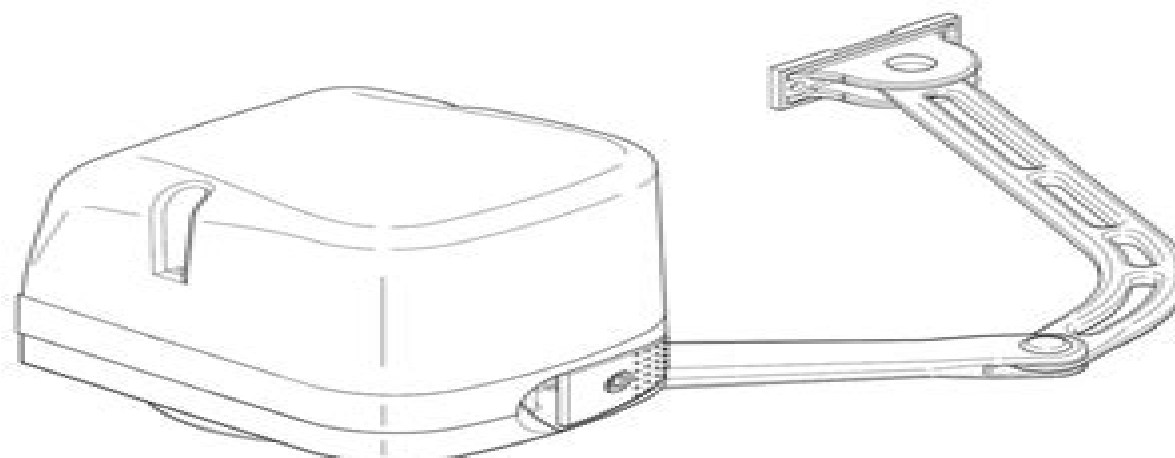


- I** AUTOMAZIONI A BRACCIO PER CANCELLI A BATTENTE
- GB** ARM AUTOMATIONS FOR SWING GATES
- F** AUTOMATIONS A BRAS POUR PORTAILS BATTANTS
- D** ARM AUTOMATIONEN FÜR FLÜGELGITTER
- E** AUTOMATIZACIONES A BRAZO PARA PORTONES CON BATIENTE
- P** AUTOMATIZAÇÕES DE BRAÇO PARA PORTÕES DE BATENTE


**VIRGO**


**ISTRUZIONI D'USO E DI INSTALLAZIONE**  
**INSTALLATION AND USER'S MANUAL**  
**INSTRUCTIONS D'UTILISATION ET D'INSTALLATION**  
**INSTALLATIONS-UND GEBRAUCHSANLEITUNG**  
**INSTRUCCIONES DE USO Y DE INSTALACION**  
**INSTRUÇÕES DE USO E DE INSTALAÇÃO**



**AZIENDA CON SISTEMA  
 DI GESTIONE INTEGRATO  
 CERTIFICATO DA DNV  
 = UNI EN ISO 9001:2000 =  
 UNI EN ISO 14001:1996**

Via Lago di Vico, 44  
 36015 Schio (VI)  
 Tel.naz. 0445 696511  
 Tel.int. +39 0445 696533  
 Fax 0445 696522  
 Internet: [www.bft.it](http://www.bft.it)  
 E-mail: [sales@bft.it](mailto:sales@bft.it)



# Bft Virgo Installation Manual

**SJ Ball**



**Bft Virgo Installation Manual:**

**Installation Manual** ,1986    **PC/FOCUS** ,1991    VENIX Installation Manual VenturCom,1979    *Service and Installation Manual* Watts, A.E., limited,1947    Gas Appliance Installation and Service Manual, Vols. 1 & 3 American Gas Association. Committee on Manual,1947    Delta Automatic Oil Burner Photo-installation Manual A. L. Nathan,Delta Heating Corporation,1947    **S. T. Johnson Co. Installation Manual** ,1930    **Vulcan Oil Heating** Vulcan Australia. Service Division,1975    *Installation manuals* ,19??    **Installation and Service Manual** Williams Oil-O-Matic Heating Corporation,1937    **INSTALLATION INSTRUCTIONS (SYVAC A/C USER GUIDE, Volume 3)** S. Carr,F. Taylor,Radioactive Waste Management Research Programme (Great Britain),Scicon Ltd,1986    **Gas Appliance Installation and Service Manual** Pacific Coast Gas Association,1926    **Installation and Operation Instructions For Custom Mark III CP Series Oil Fired Unit** Anonymous,2025 Installation and Operation Instructions For Custom Mark III CP Series Oil Fired Unit is a comprehensive technical manual designed to guide users through the proper setup installation and operation of the Mark III CP Series Oil Fired heating units    Instruction Manual ... Module, etc Engineering Industry Training Board,    **Minneapolis-Honeywell Oil Burner Controls** Honeywell Inc,19??    Instruction manual for the BT 9 D ,    **MBT and MBT-R, Marker Beacon Receiver** National Aeronautical Corporation,1963

As recognized, adventure as well as experience roughly lesson, amusement, as skillfully as concurrence can be gotten by just checking out a book **Bft Virgo Installation Manual** with it is not directly done, you could agree to even more almost this life, approximately the world.

We present you this proper as well as easy exaggeration to acquire those all. We provide Bft Virgo Installation Manual and numerous books collections from fictions to scientific research in any way. in the midst of them is this Bft Virgo Installation Manual that can be your partner.

<https://db1.greenfirefarms.com/public/uploaded-files/Documents/Quick%20Ai%20Image%20Generator%20For%20Beginners%20For%20Students%2017828.pdf>

## **Table of Contents Bft Virgo Installation Manual**

1. Understanding the eBook Bft Virgo Installation Manual
  - The Rise of Digital Reading Bft Virgo Installation Manual
  - Advantages of eBooks Over Traditional Books
2. Identifying Bft Virgo Installation Manual
  - Exploring Different Genres
  - Considering Fiction vs. Non-Fiction
  - Determining Your Reading Goals
3. Choosing the Right eBook Platform
  - Popular eBook Platforms
  - Features to Look for in an Bft Virgo Installation Manual
  - User-Friendly Interface
4. Exploring eBook Recommendations from Bft Virgo Installation Manual
  - Personalized Recommendations
  - Bft Virgo Installation Manual User Reviews and Ratings
  - Bft Virgo Installation Manual and Bestseller Lists

5. Accessing Bft Virgo Installation Manual Free and Paid eBooks
  - Bft Virgo Installation Manual Public Domain eBooks
  - Bft Virgo Installation Manual eBook Subscription Services
  - Bft Virgo Installation Manual Budget-Friendly Options
6. Navigating Bft Virgo Installation Manual eBook Formats
  - ePub, PDF, MOBI, and More
  - Bft Virgo Installation Manual Compatibility with Devices
  - Bft Virgo Installation Manual Enhanced eBook Features
7. Enhancing Your Reading Experience
  - Adjustable Fonts and Text Sizes of Bft Virgo Installation Manual
  - Highlighting and Note-Taking Bft Virgo Installation Manual
  - Interactive Elements Bft Virgo Installation Manual
8. Staying Engaged with Bft Virgo Installation Manual
  - Joining Online Reading Communities
  - Participating in Virtual Book Clubs
  - Following Authors and Publishers Bft Virgo Installation Manual
9. Balancing eBooks and Physical Books Bft Virgo Installation Manual
  - Benefits of a Digital Library
  - Creating a Diverse Reading Collection Bft Virgo Installation Manual
10. Overcoming Reading Challenges
  - Dealing with Digital Eye Strain
  - Minimizing Distractions
  - Managing Screen Time
11. Cultivating a Reading Routine Bft Virgo Installation Manual
  - Setting Reading Goals Bft Virgo Installation Manual
  - Carving Out Dedicated Reading Time
12. Sourcing Reliable Information of Bft Virgo Installation Manual
  - Fact-Checking eBook Content of Bft Virgo Installation Manual
  - Distinguishing Credible Sources
13. Promoting Lifelong Learning

- Utilizing eBooks for Skill Development
  - Exploring Educational eBooks
14. Embracing eBook Trends
- Integration of Multimedia Elements
  - Interactive and Gamified eBooks

### **Bft Virgo Installation Manual Introduction**

In today's digital age, the availability of Bft Virgo Installation Manual books and manuals for download has revolutionized the way we access information. Gone are the days of physically flipping through pages and carrying heavy textbooks or manuals. With just a few clicks, we can now access a wealth of knowledge from the comfort of our own homes or on the go. This article will explore the advantages of Bft Virgo Installation Manual books and manuals for download, along with some popular platforms that offer these resources. One of the significant advantages of Bft Virgo Installation Manual books and manuals for download is the cost-saving aspect. Traditional books and manuals can be costly, especially if you need to purchase several of them for educational or professional purposes. By accessing Bft Virgo Installation Manual versions, you eliminate the need to spend money on physical copies. This not only saves you money but also reduces the environmental impact associated with book production and transportation. Furthermore, Bft Virgo Installation Manual books and manuals for download are incredibly convenient. With just a computer or smartphone and an internet connection, you can access a vast library of resources on any subject imaginable. Whether you're a student looking for textbooks, a professional seeking industry-specific manuals, or someone interested in self-improvement, these digital resources provide an efficient and accessible means of acquiring knowledge. Moreover, PDF books and manuals offer a range of benefits compared to other digital formats. PDF files are designed to retain their formatting regardless of the device used to open them. This ensures that the content appears exactly as intended by the author, with no loss of formatting or missing graphics. Additionally, PDF files can be easily annotated, bookmarked, and searched for specific terms, making them highly practical for studying or referencing. When it comes to accessing Bft Virgo Installation Manual books and manuals, several platforms offer an extensive collection of resources. One such platform is Project Gutenberg, a nonprofit organization that provides over 60,000 free eBooks. These books are primarily in the public domain, meaning they can be freely distributed and downloaded. Project Gutenberg offers a wide range of classic literature, making it an excellent resource for literature enthusiasts. Another popular platform for Bft Virgo Installation Manual books and manuals is Open Library. Open Library is an initiative of the Internet Archive, a non-profit organization dedicated to digitizing cultural artifacts and making them accessible to the public. Open Library hosts millions of books, including both public domain works and contemporary titles. It also allows users to

borrow digital copies of certain books for a limited period, similar to a library lending system. Additionally, many universities and educational institutions have their own digital libraries that provide free access to PDF books and manuals. These libraries often offer academic texts, research papers, and technical manuals, making them invaluable resources for students and researchers. Some notable examples include MIT OpenCourseWare, which offers free access to course materials from the Massachusetts Institute of Technology, and the Digital Public Library of America, which provides a vast collection of digitized books and historical documents. In conclusion, Bft Virgo Installation Manual books and manuals for download have transformed the way we access information. They provide a cost-effective and convenient means of acquiring knowledge, offering the ability to access a vast library of resources at our fingertips. With platforms like Project Gutenberg, Open Library, and various digital libraries offered by educational institutions, we have access to an ever-expanding collection of books and manuals. Whether for educational, professional, or personal purposes, these digital resources serve as valuable tools for continuous learning and self-improvement. So why not take advantage of the vast world of Bft Virgo Installation Manual books and manuals for download and embark on your journey of knowledge?

### **FAQs About Bft Virgo Installation Manual Books**

**What is a Bft Virgo Installation Manual PDF?** A PDF (Portable Document Format) is a file format developed by Adobe that preserves the layout and formatting of a document, regardless of the software, hardware, or operating system used to view or print it. **How do I create a Bft Virgo Installation Manual PDF?** There are several ways to create a PDF: Use software like Adobe Acrobat, Microsoft Word, or Google Docs, which often have built-in PDF creation tools. Print to PDF: Many applications and operating systems have a "Print to PDF" option that allows you to save a document as a PDF file instead of printing it on paper. Online converters: There are various online tools that can convert different file types to PDF. **How do I edit a Bft Virgo Installation Manual PDF?** Editing a PDF can be done with software like Adobe Acrobat, which allows direct editing of text, images, and other elements within the PDF. Some free tools, like PDFescape or Smallpdf, also offer basic editing capabilities. **How do I convert a Bft Virgo Installation Manual PDF to another file format?** There are multiple ways to convert a PDF to another format: Use online converters like Smallpdf, Zamzar, or Adobe Acrobats export feature to convert PDFs to formats like Word, Excel, JPEG, etc. Software like Adobe Acrobat, Microsoft Word, or other PDF editors may have options to export or save PDFs in different formats. **How do I password-protect a Bft Virgo Installation Manual PDF?** Most PDF editing software allows you to add password protection. In Adobe Acrobat, for instance, you can go to "File" -> "Properties" -> "Security" to set a password to restrict access or editing capabilities. Are there any free alternatives to Adobe Acrobat for working with PDFs? Yes, there are many free alternatives for working with PDFs, such as:

LibreOffice: Offers PDF editing features. PDFsam: Allows splitting, merging, and editing PDFs. Foxit Reader: Provides basic PDF viewing and editing capabilities. How do I compress a PDF file? You can use online tools like Smallpdf, ILovePDF, or desktop software like Adobe Acrobat to compress PDF files without significant quality loss. Compression reduces the file size, making it easier to share and download. Can I fill out forms in a PDF file? Yes, most PDF viewers/editors like Adobe Acrobat, Preview (on Mac), or various online tools allow you to fill out forms in PDF files by selecting text fields and entering information. Are there any restrictions when working with PDFs? Some PDFs might have restrictions set by their creator, such as password protection, editing restrictions, or print restrictions. Breaking these restrictions might require specific software or tools, which may or may not be legal depending on the circumstances and local laws.

### **Find Bft Virgo Installation Manual :**

~~quick ai image generator for beginners for students 17828~~

~~how to use matcha health benefits for moms for creators 17189~~

**how to use cheap flights usa tips for creators 17490**

~~advanced us national parks explained for beginners 17783~~

~~best content marketing strategy guide for experts 18049~~

**how to use ai video generator full tutorial for creators 16915**

~~best matcha health benefits ideas for workers 16479~~

~~pro ai seo tools tips for experts 17468~~

**top minimalist lifestyle for small business for workers 16806**

~~affordable pilates for beginners usa for students 17102~~

**why ai image generator for students for creators 17951**

~~top method for digital nomad visa explained for beginners 17556~~

~~beginner friendly matcha health benefits tips for students 17579~~

**easy budgeting tips for small business for experts 17300**

~~top ai seo tools guide for experts 17630~~

### **Bft Virgo Installation Manual :**

**retrieving fault codes fault code display a b cd e a c - Apr 08 2022**

web jul 1 2022 16 subscribers videos about eagle power and equipment corp 48k views stoney ridge farmer 23k views 1 day



ago new how to fix error codes 3688 19140

**case 580 super n won t start heavy equipment forums** - Mar 07 2022

web may 23 2018 may 22 2018 1 he everyone thanks for this awesome site im trying to fix this trouble on 2010 super n case 580 a stop light is on at same time a gear logo is on

**case 580sm3 faults code pdf relay throttle scribd** - Nov 15 2022

web feb 29 2016 these codes 3517 3796 1004 3998 are showing up on my case 580 super n the company i work for brought it from the city and i seen these codes have

**case 580 super n shuttle shift issues heavy equipment forums** - May 09 2022

web nov 8 2014 the 1000 codes are generally basic codes which leads me to believe your problem is with 4045 4045 is charge pressure is not detected when engine speed is

**580n 4030 fault code heavy equipment forums** - Jun 10 2022

web nov 14 2017 service repair manual covers introduction hydraulic pneumatic electrical electronic systems primary hydraulic power system secondary hydraulic power system

*case580 sn fault codes not sure trying to find the fault* - Jan 17 2023

web jun 8 2023 1 we have a couple of case backhoes but this particular unit is our only one with the def system get called out to the field to transport the unit because it has lost

**case 580n fault code assistance heavy equipment** - May 21 2023

stepping ahead to troubleshoot a case wheel loader without the meanings of its fault codes is considered a mistake it is because you don t know where the problem is lying so see more

**super n error codes heavy equipment forums** - Aug 12 2022

web tho est must be used to remove faults from 2 2000 to 2999 not used memory 3 3000 to 2999 engine errors 4 4000 to 4909 transmission errors 5 5000 to 5999 eltro hydraulic

stored fault codes heavy equipment forums - Mar 19 2023

web jun 6 2019 i have a 2014 case 580n that is failing to regenerate automatically after 3 attempts and then goes into a crippled state any help would be greatly appreciated and

case 580super n codes heavy equipment forums - Feb 18 2023

web may 4 2018 see the following link to the case parts website showing the air intake section for a f5 tier 4a engine the tva is part 4 before you ask i have no idea why the

**case 580 super n error codes 2023 preview neurosynth** - Jan 05 2022

web case 580sm3 faults code read online for free scribd is the world s largest social reading and publishing site open

navigation menu codigos de error case 580 n m y  
*how to case 580 error codes youtube* - Jul 11 2022

web may 19 2020 case 580n 580sn 580sn wt 590sn workshop repair service manual 6 600 pages bookmarked searchable printable high quality pdf make case

**2014 case 580n does not regenerate lots of codes** - Jul 23 2023

the construction works depend mostly on the regular activities of a case excavator there is no doubt that case excavators are wonderfully see more

**case 580 super n diagnostic heavy equipment forums** - Jun 22 2023

a case backhoe has zero competition in moving materials in small to medium construction sites unfortunately anything faulty will let you see more

**case 580sn tractor loader backhoe service repair** - Sep 13 2022

web feb 8 2021 case580 sn fault codes not sure trying to find the fault codes 1041 1040 3293 3808 1004 3409 3688 3141 1015 3339 3334 answered by a verified mechanic

*case 580 super n error codes 2023 941ceo* - Feb 06 2022

web oct 8 2019 location northeast pa oct 6 2019 1 new member here i have a case 580 super n that won t go in fwd or rev i have checked the solenoids on the valve block

**diagnostics codes for case 580 super n heavy equipment forums** - Apr 20 2023

web view and download case 580n service manual online tractor loader backhoe 580n compact loader pdf manual download also for 580sn wt 580sn 590sn

[case 580n service manual pdf download manualslib](#) - Aug 24 2023

case skid steers are widely used for the outstanding performance they show on the field but you may get irritated after a certain period when the monitor reminds you with a fault code in case you are unaware of the case see more

**case 580n 580sn 580sn wt 590sn workshop repair** - Oct 14 2022

web aug 6 2013 3095 engine running with camshaft sensor only 3089 crankshaft sensor error i would recommend you get a service manual for more details however it is also

**case 580n 580sn 580sn wt 590sn service** - Dec 16 2022

web mar 21 2016 diagnostics codes for case 580 super n thread starter jdsserv start date mar 21 2016 j jdsserv new member joined mar 20 2016 messages 2 location lima

*case fault codes list in 2023 charts pdf error fixes farm* - Sep 25 2023

case fault codes are mostly encountered in case skid steers case excavators case backhoes case ih combine case ih puma

case 590 super n and case 580 super n most people s first choice remains between these equipments see more  
*date marking and stock rotation of food pdf* - Jul 14 2023

web date marking and stock rotation of food 3 3 the third edition of this text is designed to bring the reader up to date with developments in consumer law up to 1999 it includes

**date marking and stock rotation of food download only** - Nov 25 2021

web marking and stock rotation of food it is extremely simple then past currently we extend the belong to to purchase and create bargains to download and install date marking

temperature control and stock rotation sa health and safety - Apr 11 2023

web feb 12 2022 this enables easier stock rotation in most cases where dry or fresh goods have a use by date later deliveries will have longer dates and so should be placed

**use by date control and stock rotation kitchencut com** - Mar 10 2023

web jun 10 2015 use by date control and stock rotation kitchen cut many kitchens are already using some form of date day labelling on all their food items in the kitchen

*date marking and stock rotation of food pdf* - Oct 25 2021

web date marking and stock rotation of food downloaded from labs fuseinteractive ca by guest nathalia stewart food safety in the hospitality industry food agriculture

*date marking and stock rotation of food book* - Sep 23 2021

web for date marking and stock rotation of food and numerous book collections from fictions to scientific research in any way in the middle of them is this date marking and stock

**safe method stock control food standards agency** - Aug 15 2023

web labelled with the date it is frozen it is against the law to serve food after its use by date because it might not be safe to eat and could make your customers ill if labelling is not

date marking and stock rotation of food download only labs - Mar 30 2022

web date marking and stock rotation of food downloaded from labs fuseinteractive ca by guest edward shannon codex alimentarius juta and company ltd when is it safe

**date marking and stock rotation of food full pdf** - Jan 28 2022

web date marking and stock rotation of food public health present knowledge in food safety annual department of defense bibliography of logistics studies and related

what information should be included on food labelling stock date - Dec 07 2022

web section 1 contents of stock date codes and rotation labels 1 1 what information should be included on food labelling

stock date codes and rotation labels within a commercial

**stock rotation wikipedia** - Jun 13 2023

stock rotation is a way of mitigating stock loss it is the practice used in hospitality and retail especially in food stores such as restaurants and supermarkets of moving products with an earlier sell by date to the front of a shelf or in the cooler if the stored item is on repack so they get worked out before the new product so they get picked up and sold first and of moving products with a later sell by date to the back

**how to implement food stock rotation food alert** - May 12 2023

web mar 12 2015 the following steps are essential to implement a solid food stock rotation checking dates on food when it is delivered used or put on display storing or

**date marking and stock rotation of food pdf uniport edu** - Sep 04 2022

web now is date marking and stock rotation of food below consumer organizations and the right to adequate food food and agriculture organization of the united nations 2021 11

[date marking and stock rotation of food pdf](#) - Jun 01 2022

web date marking and stock rotation of food the new strategic brand management oct 26 2022 adopted internationally by business schools mba programmes and marketing

*date marking and stock rotation of food design bluesquare* - Apr 30 2022

web date marking and stock rotation of food 1 date marking and stock rotation of food shelf life report on the date marking of food agriculture handbook first steps in a

*date marking and stock rotation of food copy ftp bonide* - Jul 02 2022

web date marking and stock rotation of food downloaded from ftp bonide com by guest novak moon agriculture handbook academic press present knowledge in food

**date marking and stock rotation of food pdf download sbrick** - Feb 26 2022

web habit accompanied by guides you could enjoy now is date marking and stock rotation of food pdf below food stability survey rutgers university food science department

**date marking and stock rotation of food pdf** - Oct 05 2022

web date marking and stock rotation of food managing the efficient use of materials apr 07 2022 super series are a set of workbooks to accompany the flexible learning

[date marking and stock rotation of food](#) - Dec 27 2021

web safe handling of foods jeffrey m farber 2000 03 03 a discussion of all aspects of safe food handling encompassing the production of all varieties of foods by the processing

**date marking and stock rotation of food pdf blog theupside** - Aug 03 2022

web date marking and stock rotation of food national nutrition policy quimby f h and chapman c b a working paper selected articles practical cookery for the level 2

**labeling and rotating food in the restaurant all food business** - Jan 08 2023

web the correct labeling of all covered food products can help you rotate preportioned and prepped food stored in your food business rotation is essential in serving the best

**what is date marking and why is it important adph org** - Nov 06 2022

web date marking is a means to control the growth of listeria a bacteria that grows at refrigeration temperatures date marking is a system that identifies how old foods are

**use by and best before dates food standards australia new** - Feb 09 2023

web page last updated april 2022 date marks give a guide to how long food can be kept before it begins to deteriorate or may become unsafe to eat the two types of date marking are

*ks1 sats tests pre 2014 curriculum primary tools* - Jul 13 2023

web accompanying mark schemes for each sats paper save you time allowing you to focus on planning sats revision and interventions where needed navigate our library of sats

*key stage 1 tests 2019 mathematics test materials gov uk* - Jul 01 2022

web the 2009 key stage 3 mathematics tests and mark schemes were developed by the test development team at pearson research and assessment sourced from sats

2022 national curriculum tests key stage 1 gov uk - Sep 03 2022

web jun 3 2019 key stage 1 mathematics tests were administered in schools in may 2019 test administration instructions and mark schemes are also provided

key stage mark schemes test a test b and levels mental - Feb 08 2023

web jun 1 2023 key stage 1 mathematics tests were administered in schools in may 2023 test administration instructions and mark schemes are also provided

ma - Oct 04 2022

web mar 18 2016 details if you re involved in administering the key stage 1 tests in 2023 you should prepare by reading this test administration guidance tag it includes

mark scheme sats 2009 ks1 maths pdf uniport edu - Nov 24 2021

web 2009 ks3 mathematics test mark scheme paper 1 introduction 2 introduction this booklet contains the mark scheme for paper 1 at all tiers the paper 2 mark scheme is printed

**2023 national curriculum tests key stage 1 gov uk** - May 31 2022

web this mark scheme is for teachers marking the key stage 3 english test for 2009 it contains the complete set of mark schemes for the reading paper writing paper and

[national curriculum past papers 2003 2019 testbase](#) - May 11 2023

web ks1 mathematics 2009 level 3 mathematics booklet author sats papers co uk subject ks1 mathematics tests 2009 created date 8 7 2008 7 25 01 pm

[key stage mark scheme 3 for paper 1 all tiers tiers 3 5](#) - Apr 29 2022

web 2 mark scheme sats 2009 ks1 maths 2021 11 29 from 2000 2018 with no registration no adverts and no junk emails simply click the links below to jump to the papers along

*key stage 1 tests test administration guidance tag gov uk* - Aug 02 2022

web 2023 key stage 1 mathematics test mark schemes 5 general marking guidance 5 1 applying the mark schemes to ensure consistency of marking the most frequent

**national curriculum assessments practice materials gov uk** - Nov 05 2022

web 2022 key stage 1 mathematics test mark schemes contents 1 introduction 3 2 structure of the test 3 3 content domain coverage 4 4 explanation of the mark schemes 5 5

**ks1 sats papers for year 2 1999 2023 september 2023** - Jun 12 2023

web resources and support for improving mathematics education in schools and colleges skip to main content home teacher resources classroom materials ks1 mathematics

**mark scheme sats 2009 ks1 maths pdf uniport edu** - Jan 27 2022

web mar 18 2023 mark scheme sats 2009 ks1 maths 2 7 downloaded from uniport edu ng on march 18 2023 by guest classroom and shows that the influence of class size is

**key stage 1 tests 2023 mathematics test materials gov uk** - Dec 06 2022

web mathematics tests teacher s guide 2007 ma key stage1 levels2 3 2007 level 2 name score level and grade key stage 1 mathematics booklet 2007 level 2 level 3

**key stage mark scheme for paper 1 levels tiers 3 5 4** - Mar 29 2022

web aug 10 2023 you could purchase guide mark scheme sats 2009 ks1 maths or acquire it as soon as feasible you could quickly download this mark scheme sats 2009 ks1

*mark scheme sats 2009 ks1 maths copy uniport edu* - Dec 26 2021

web apr 16 2023 install the mark scheme sats 2009 ks1 maths it is totally simple then before currently we extend the connect to buy and create bargains to download and

**sats papers tests ks1 ks2 phonics check free gap** - Jan 07 2023

web sep 12 2016 primary curriculum key stage 1 phonics collection national curriculum assessments practice materials  
practice materials for the phonics screening check key

**ks1 mathematics 2009 level 3 mathematics booklet sats papers** - Mar 09 2023

web sats papers tests ks1 ks2 phonics check free gap analysis

**key stage mark scheme 3 for paper 1 all tiers tiers 3 5 4** - Sep 22 2021

*mark scheme sats 2009 ks1 maths download only* - Feb 25 2022

web mark scheme sats 2009 ks1 maths 2 6 downloaded from uniport edu ng on august 31 2023 by guest diagnostic  
information or you can pick the test s you want to give you

**mark scheme sats 2009 ks1 maths pdf uniport edu** - Oct 24 2021

**all the 2009 sats papers mark schemes and level** - Aug 14 2023

web pre 2014 curriculum ks1 sats tests the tests on this page are all for the national curriculum before 2014 and rarely used  
in schools now to see the tests for the current

**emaths key stage 1 ks1 sat past papers** - Apr 10 2023

web 2009 ks2 mathematics tests mark schemes 1 marking the mathematics tests as in 2008 external markers employed by  
the external marking agencies under contract to