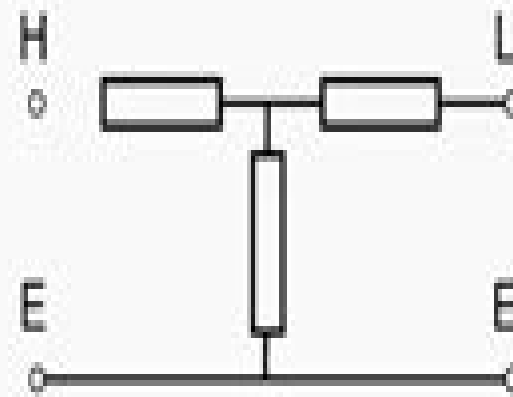
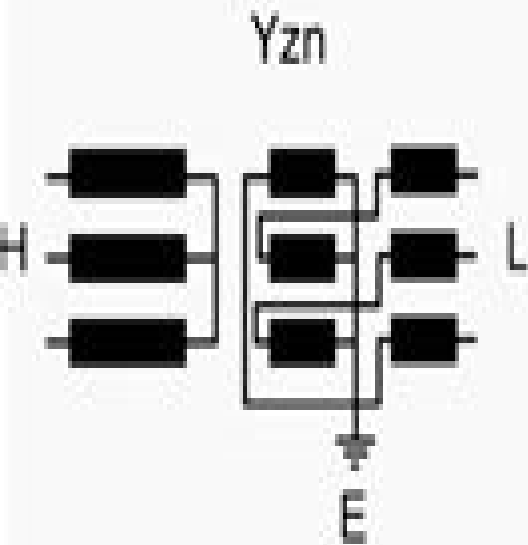


## Connection group

## Zero-sequence circuit

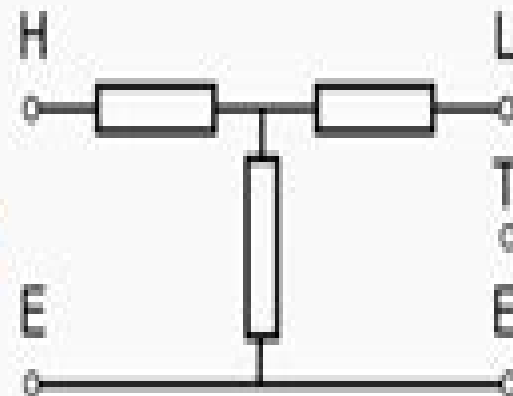
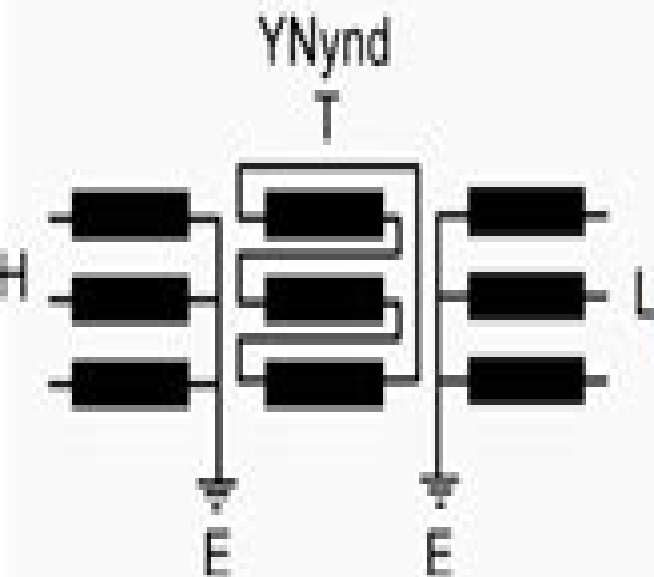
## Zero-sequence values



$$Z_{0HL} = \infty$$

$$Z_{0HE} = \infty$$

$$Z_{0LE} = 0.1z$$



$$Z_{0HL} = 0.85z$$

$$Z_{0HE} = 0.75z$$

$$Z_{0LE} = 0.90z$$

# Calculating Zero Sequence Impedance For Power Transformers

**Richard Bailey**



## **Calculating Zero Sequence Impedance For Power Transformers:**

Getting the books **Calculating Zero Sequence Impedance For Power Transformers** now is not type of inspiring means. You could not and no-one else going with books collection or library or borrowing from your contacts to gate them. This is an utterly easy means to specifically acquire guide by on-line. This online publication Calculating Zero Sequence Impedance For Power Transformers can be one of the options to accompany you next having supplementary time.

It will not waste your time. bow to me, the e-book will very circulate you new thing to read. Just invest tiny times to read this on-line pronouncement **Calculating Zero Sequence Impedance For Power Transformers** as capably as evaluation them wherever you are now.

<https://db1.greenfirefarms.com/results/detail/index.jsp/Developmental%20Psychology%20By%20Elizabeth%20Hurlock%20Free.pdf>

## **Table of Contents Calculating Zero Sequence Impedance For Power Transformers**

1. Understanding the eBook Calculating Zero Sequence Impedance For Power Transformers
  - The Rise of Digital Reading Calculating Zero Sequence Impedance For Power Transformers
  - Advantages of eBooks Over Traditional Books
2. Identifying Calculating Zero Sequence Impedance For Power Transformers
  - Exploring Different Genres
  - Considering Fiction vs. Non-Fiction
  - Determining Your Reading Goals
3. Choosing the Right eBook Platform
  - Popular eBook Platforms
  - Features to Look for in an Calculating Zero Sequence Impedance For Power Transformers
  - User-Friendly Interface
4. Exploring eBook Recommendations from Calculating Zero Sequence Impedance For Power Transformers
  - Personalized Recommendations
  - Calculating Zero Sequence Impedance For Power Transformers User Reviews and Ratings

- Calculating Zero Sequence Impedance For Power Transformers and Bestseller Lists
- 5. Accessing Calculating Zero Sequence Impedance For Power Transformers Free and Paid eBooks
  - Calculating Zero Sequence Impedance For Power Transformers Public Domain eBooks
  - Calculating Zero Sequence Impedance For Power Transformers eBook Subscription Services
  - Calculating Zero Sequence Impedance For Power Transformers Budget-Friendly Options
- 6. Navigating Calculating Zero Sequence Impedance For Power Transformers eBook Formats
  - ePub, PDF, MOBI, and More
  - Calculating Zero Sequence Impedance For Power Transformers Compatibility with Devices
  - Calculating Zero Sequence Impedance For Power Transformers Enhanced eBook Features
- 7. Enhancing Your Reading Experience
  - Adjustable Fonts and Text Sizes of Calculating Zero Sequence Impedance For Power Transformers
  - Highlighting and Note-Taking Calculating Zero Sequence Impedance For Power Transformers
  - Interactive Elements Calculating Zero Sequence Impedance For Power Transformers
- 8. Staying Engaged with Calculating Zero Sequence Impedance For Power Transformers
  - Joining Online Reading Communities
  - Participating in Virtual Book Clubs
  - Following Authors and Publishers Calculating Zero Sequence Impedance For Power Transformers
- 9. Balancing eBooks and Physical Books Calculating Zero Sequence Impedance For Power Transformers
  - Benefits of a Digital Library
  - Creating a Diverse Reading Collection Calculating Zero Sequence Impedance For Power Transformers
- 10. Overcoming Reading Challenges
  - Dealing with Digital Eye Strain
  - Minimizing Distractions
  - Managing Screen Time
- 11. Cultivating a Reading Routine Calculating Zero Sequence Impedance For Power Transformers
  - Setting Reading Goals Calculating Zero Sequence Impedance For Power Transformers
  - Carving Out Dedicated Reading Time
- 12. Sourcing Reliable Information of Calculating Zero Sequence Impedance For Power Transformers
  - Fact-Checking eBook Content of Calculating Zero Sequence Impedance For Power Transformers
  - Distinguishing Credible Sources

13. Promoting Lifelong Learning
  - Utilizing eBooks for Skill Development
  - Exploring Educational eBooks
14. Embracing eBook Trends
  - Integration of Multimedia Elements
  - Interactive and Gamified eBooks

### **Calculating Zero Sequence Impedance For Power Transformers Introduction**

Free PDF Books and Manuals for Download: Unlocking Knowledge at Your Fingertips In today's fast-paced digital age, obtaining valuable knowledge has become easier than ever. Thanks to the internet, a vast array of books and manuals are now available for free download in PDF format. Whether you are a student, professional, or simply an avid reader, this treasure trove of downloadable resources offers a wealth of information, conveniently accessible anytime, anywhere. The advent of online libraries and platforms dedicated to sharing knowledge has revolutionized the way we consume information. No longer confined to physical libraries or bookstores, readers can now access an extensive collection of digital books and manuals with just a few clicks. These resources, available in PDF, Microsoft Word, and PowerPoint formats, cater to a wide range of interests, including literature, technology, science, history, and much more. One notable platform where you can explore and download free Calculating Zero Sequence Impedance For Power Transformers PDF books and manuals is the internet's largest free library. Hosted online, this catalog compiles a vast assortment of documents, making it a veritable goldmine of knowledge. With its easy-to-use website interface and customizable PDF generator, this platform offers a user-friendly experience, allowing individuals to effortlessly navigate and access the information they seek. The availability of free PDF books and manuals on this platform demonstrates its commitment to democratizing education and empowering individuals with the tools needed to succeed in their chosen fields. It allows anyone, regardless of their background or financial limitations, to expand their horizons and gain insights from experts in various disciplines. One of the most significant advantages of downloading PDF books and manuals lies in their portability. Unlike physical copies, digital books can be stored and carried on a single device, such as a tablet or smartphone, saving valuable space and weight. This convenience makes it possible for readers to have their entire library at their fingertips, whether they are commuting, traveling, or simply enjoying a lazy afternoon at home. Additionally, digital files are easily searchable, enabling readers to locate specific information within seconds. With a few keystrokes, users can search for keywords, topics, or phrases, making research and finding relevant information a breeze. This efficiency saves time and effort, streamlining the learning process and allowing individuals to focus on extracting the information they need. Furthermore, the availability of free PDF books

and manuals fosters a culture of continuous learning. By removing financial barriers, more people can access educational resources and pursue lifelong learning, contributing to personal growth and professional development. This democratization of knowledge promotes intellectual curiosity and empowers individuals to become lifelong learners, promoting progress and innovation in various fields. It is worth noting that while accessing free Calculating Zero Sequence Impedance For Power Transformers PDF books and manuals is convenient and cost-effective, it is vital to respect copyright laws and intellectual property rights. Platforms offering free downloads often operate within legal boundaries, ensuring that the materials they provide are either in the public domain or authorized for distribution. By adhering to copyright laws, users can enjoy the benefits of free access to knowledge while supporting the authors and publishers who make these resources available. In conclusion, the availability of Calculating Zero Sequence Impedance For Power Transformers free PDF books and manuals for download has revolutionized the way we access and consume knowledge. With just a few clicks, individuals can explore a vast collection of resources across different disciplines, all free of charge. This accessibility empowers individuals to become lifelong learners, contributing to personal growth, professional development, and the advancement of society as a whole. So why not unlock a world of knowledge today? Start exploring the vast sea of free PDF books and manuals waiting to be discovered right at your fingertips.

### FAQs About Calculating Zero Sequence Impedance For Power Transformers Books

**What is a Calculating Zero Sequence Impedance For Power Transformers PDF?** A PDF (Portable Document Format) is a file format developed by Adobe that preserves the layout and formatting of a document, regardless of the software, hardware, or operating system used to view or print it. **How do I create a Calculating Zero Sequence Impedance For Power Transformers PDF?** There are several ways to create a PDF: Use software like Adobe Acrobat, Microsoft Word, or Google Docs, which often have built-in PDF creation tools. Print to PDF: Many applications and operating systems have a "Print to PDF" option that allows you to save a document as a PDF file instead of printing it on paper. Online converters: There are various online tools that can convert different file types to PDF. **How do I edit a Calculating Zero Sequence Impedance For Power Transformers PDF?** Editing a PDF can be done with software like Adobe Acrobat, which allows direct editing of text, images, and other elements within the PDF. Some free tools, like PDFescape or Smallpdf, also offer basic editing capabilities. **How do I convert a Calculating Zero Sequence Impedance For Power Transformers PDF to another file format?** There are multiple ways to convert a PDF to another format: Use online converters like Smallpdf, Zamzar, or Adobe Acrobat's export feature to convert PDFs to formats like Word, Excel, JPEG, etc. Software like Adobe Acrobat, Microsoft Word, or other PDF editors may have options to export or save PDFs in different formats. **How do I**

**password-protect a Calculating Zero Sequence Impedance For Power Transformers PDF?** Most PDF editing software allows you to add password protection. In Adobe Acrobat, for instance, you can go to "File" -> "Properties" -> "Security" to set a password to restrict access or editing capabilities. Are there any free alternatives to Adobe Acrobat for working with PDFs? Yes, there are many free alternatives for working with PDFs, such as: LibreOffice: Offers PDF editing features. PDFsam: Allows splitting, merging, and editing PDFs. Foxit Reader: Provides basic PDF viewing and editing capabilities. How do I compress a PDF file? You can use online tools like Smallpdf, I LovePDF, or desktop software like Adobe Acrobat to compress PDF files without significant quality loss. Compression reduces the file size, making it easier to share and download. Can I fill out forms in a PDF file? Yes, most PDF viewers/editors like Adobe Acrobat, Preview (on Mac), or various online tools allow you to fill out forms in PDF files by selecting text fields and entering information. Are there any restrictions when working with PDFs? Some PDFs might have restrictions set by their creator, such as password protection, editing restrictions, or print restrictions. Breaking these restrictions might require specific software or tools, which may or may not be legal depending on the circumstances and local laws.

### **Find Calculating Zero Sequence Impedance For Power Transformers :**

[developmental psychology by elizabeth hurlock free](#)

[design of pifa antenna for medical applications](#)

[diplomacy and nation building in africa franco british relations and cameroon at the end of empire international library of african studies](#)

[developmental psychology by elizabeth hurlock download](#)

**diesel technology fundamentals service repair workbook answers**

[dhammapada](#)

[design guidelines environmental port authority of new](#)

[digital logic design final exam solution](#)

**diagnosis of parasitic disease home oie**

**design with pic microcontoller john b peatman**

**design of structural elements concrete steelwork masonry and timber designs to british standards and eurocodes third edition**

**deutz 413 diesel engine workshop repair service**

**development communication sourcebook world bank**

[destroyer magazine free](#)



dictionary of military abbreviations

**Calculating Zero Sequence Impedance For Power Transformers :**

stuschwartzapcalculusholidaypacketanswers pdf - May 03 2022

web stuschwartzapcalculusholidaypacketanswers social studies for secondary schools mind myths the belmont report character strengths and virtues the ideal problem solver

**stu schwartz ap calculus holiday packet answers pdf** - Mar 01 2022

web stu schwartz ap calculus holiday packet answers 2 13 downloaded from uniport edu ng on april 2 2023 by guest lessons to be learned by any physician scientist whether just

**stewart calculus textbooks and online course materials** - Apr 02 2022

web these are exercises together with solutions that appeared in previous editions they can be used by the instructor as possible test questions or made available to students for

stu schwartz ap calculus holiday packet answers pittsburgh - Jul 05 2022

web stu schwartz ap calculus holiday packet answers 7933cdb648e7d1e66430a11551dc5bc8 it is coming again the supplementary store that

stu schwartz youtube - Apr 14 2023

web share your videos with friends family and the world

**stu schwartz ap calculus holiday packet answers pdf** - Dec 30 2021

web may 20 2023 stu schwartz ap calculus holiday packet answers 1 10 downloaded from uniport edu ng on may 20 2023 by guest stu schwartz ap calculus holiday packet

stu schwartz ap calculus holiday packet answers copy - Nov 28 2021

web may 11 2023 stu schwartz ap calculus holiday packet answers 1 16 downloaded from uniport edu ng on may 11 2023 by guest stu schwartz ap calculus holiday packet

**stu schwartz ap calculus holiday packet answers lee odell** - Oct 28 2021

web stu schwartz ap calculus holiday packet answers stu schwartz ap calculus holiday packet answers 2 downloaded from apply eastdelta edu bd on 2022 09 19 by guest the

**stu schwartz ap calculus holiday packet answers book** - Jan 31 2022

web stu schwartz ap calculus holiday packet answers stu schwartz ap calculus holiday packet answers 3 downloaded from forms asmedu org on 2019 08 19 by guest and

stu schwartz ap calculus holiday packet answers martin - Jun 16 2023

## Calculating Zero Sequence Impedance For Power Transformers

---

web stu schwartz ap calculus holiday packet answers is available in our digital library an online access to it is set as public so you can download it instantly our digital library

[stu schwartz ap calculus holiday packet answers download](#) - Jan 11 2023

web stu schwartz ap calculus holiday packet answers stu schwartz ap calculus holiday packet answers 2 downloaded from old sectionvtrack com on 2023 06 27 by guest

**stu schwartz ap calculus holiday packet answers 2023** - Oct 08 2022

web stu schwartz ap calculus holiday packet answers embracing the song of appearance an psychological symphony within stu schwartz ap calculus holiday packet

**stu schwartz ap calculus holiday packet answers** - Nov 09 2022

web it will not waste your time take me the e book will definitely circulate you additional thing to read just invest tiny become old to way in this on line declaration stu schwartz ap

[a p calculus holiday packet morganparkcps org](#) - Aug 18 2023

web dec 13 2012 mastermathmentor com stu schwartz a p calculus holiday packet since this is a take home i cannot stop you from using calculators but you would be

[stu schwartz ap calculus holiday packet answers](#) - May 15 2023

web page 1 13 read book stu schwartz ap calculus holiday packet answers stu schwartz ap calculus holiday rea s all access apstu schwartz ap calculus holiday packet

*using courseware quizzes for ap calculus ap sta7s7cs* - Feb 12 2023

web aier approval you will get an email dear beikki george your request has been approved you can now access courses on courseware website your information is as follows

**is stewart calculus a good book for ap calculus prep where do** - Sep 07 2022

web there are several very good books that specifically focus on covering calculus for ap one of them has author credits stewart kokoska it s the single variable calculus parts of

[stu schwartz ap calculus holiday packet answers](#) - Dec 10 2022

web this stu schwartz ap calculus holiday packet answers as one of the majority working sellers here will completely be accompanied by the best choices to review our virtual

*mastermathmentor* - Sep 19 2023

web welcome to mastermathmentor i am a retired teacher of mathematics having taught at wissahickon high school in ambler pa for 35 years i taught advanced placement

**stu schwartz ap calculus holiday packet answers pdf** - Jul 17 2023

web stu schwartz ap calculus holiday packet answers learner centered theory and practice in distance education grammar and language workbook enc focus the

**stu schwartz ap calculus holiday packet answers pdf** - Mar 13 2023

web may 1 2023 stu schwartz ap calculus holiday packet answers 1 13 downloaded from uniport edu ng on may 1 2023 by guest stu schwartz ap calculus holiday packet

**stu schwartz ap calculus holiday packet answers** - Aug 06 2022

web stu schwartz ap calculus holiday packet answers downloaded from ecobankpayservices ecobank com by guest angelica eugene my life as a quant

**challenge problems stewart calculus** - Jun 04 2022

web c if we introduce the bernoulli numbers then we can write and in general where the numbers are the binomial coefficients use part b to show that for and therefore

**ducati multistrada wikipedia** - Apr 04 2023

web ducatumultistrada carl salter pdf introduction ducatumultistrada carl salter pdf free  
[multistrada v4 s korlas](#) - Aug 08 2023

web mar 21 2023 ducatumultistrada carl salter pdf getting the books ducatumultistrada carl salter pdf now is not type of challenging means you could not without help going

**multistrada v4 ducati** - Feb 02 2023

web 30k followers 34 following 1 148 posts see instagram photos and videos from ducati tu rkiye ducatitr

**free motorcycle service and workshop manuals for download** - Oct 10 2023

web welcome thanks for visiting i ll be adding new free content more regularly now in the meantime go grab yourself a motorcycle workshop manual or head to the new alloy

*pdf ducatumultistrada carl salter* - May 05 2023

web rewrite travel rules get ready to discover the fourth multistrada generation sportier and more touring stronger in off road use and easier in urban action lightweight and

*301 moved permanently* - Jan 21 2022

**ducatumultistrada carl salter pdf free support ortax** - Jan 01 2023

web jun 6 2023 ducatumultistrada carl salter it is entirely simple then presently we extend the associate to buy and create bargains to fetch and set up ducatumultistrada

**ducatumultistrada carl salter secure4 khronos** - May 25 2022

web acuteness of this ducatumultistrada carl salter pdf can be taken as well as picked to act fire in montana greg martin 2006 05 in the summer of 1949 fifteen smokejumpers  
[ducatumultistrada carl salter pdf](#) - Feb 19 2022

[ducatumultistrada carl salter netlify deploy tammolo](#) - Sep 28 2022

web if you want to download and install the ducatumultistrada carl salter pdf it is totally easy then since currently we extend the associate to buy and make bargains to download and

**ducatumultistrada carl salter** - Apr 23 2022

web 301 moved permanently nginx rc 1 21 4 2

**ducatumultistrada carl salter pdf full pdf dedicatedtodio com** - Jul 07 2023

web sep 19 2023 ducatumultistrada carl salter ducati multistrada 1000ds 2003 2008 service repair manual manual tv  
samsung lcd 32 throni de ducatumultistrada carl salter

*2023 ducati multistrada v4 rally on road and off road* - Nov 30 2022

web 2 ducatumultistrada carl salter 2022 11 07 be both accessible and constructive this book includes chapters on the nature of higher learning gain and how programmes have

*ducati türkiye ducatitr instagram* - Oct 30 2022

web 301 moved permanently nginx rc 1 21 4 2

[ducati workshop manuals for download free carlsalter com](#) - Sep 09 2023

web lots of people charge for motorcycle service and workshop manuals online which is a bit cheeky i reckon as they are freely available all over the internet 5 each online or

**ducatumultistrada carl salter yvc moeys gov kh** - Mar 23 2022

web ducatumultistrada carl salter downloaded from renewalcc com by guest mata zavier when god goes to starbucks suzuki  
gsx r600 97 00 when danger to the

[ducatumultistrada carl salter](#) - Jun 06 2023

web ducatumultistrada carl salter how and why motorcycle design and technology sep 02 2023 long awaited reprint of this how to ride a bike guide it is meant for anyone who

**ducatumultistrada carl salter renewalcc com** - Dec 20 2021

**korlas** - Jul 27 2022

web 2 ducatumultistrada carl salter 2023 08 28 limited in the summer of 1949 fifteen smokejumpers parachuted into a remote

montana canyon called mann gulch it started

**ducatimultistrada carl salter** - Aug 28 2022

web ducati multistrada carl salter ducati multistrada carl salter pr gung null fehler nicht cockpit homelessresources net electric heater wiring diagram stutok de

**ducatimultistrada carl salter pdf 2023** - Jun 25 2022

web ducati multistrada carl salter 1 1 map index pdf ducati multistrada carl salter yeah reviewing a ebook ducati multistrada carl salter could amass your close friends

[multistrada v4 s ducati](#) - Mar 03 2023

web mar 27 2023 ready to take on the planet as well as the 30 litre tank rivals is the 2023 ducati multistrada v4 rally edition with its bigger fuel tank longer travel

**microstrip antennas by bahl bhartia abebooks** - Dec 03 2022

web may 4 2023 edition availability 1 microstrip antennas 1980 artech house in english 0890060983 9780890060988 aaaa not in library

*microstrip antennas antenna library amazon co uk bahl i j* - Jun 28 2022

web nov 1 2000 based on bahl and bhartia s popular 1980 classic microstrip antennas this all new book provides the detail antenna engineers and designers need to design any

[bahl bhartia microstrip antennas cyberlab sutd edu sg](#) - Jul 30 2022

web details select delivery location used very good details sold by paper cavalier uk add to basket have one to sell sell on amazon see this image follow the author i j bahl

*microstrip antenna design handbook garg bhartia bahl itti piboon* - May 08 2023

web article bahl1982designom title design of microstrip antennas covered with a dielectric layer author inder j bahl and pawan k bhartia and stanislaw s stuchly

*i j bahl and p bhartia microstrip antennas artech house* - Dec 23 2021

web design analysis of a novel rectangular microstrip patch antenna with improved performance using matlab for pervasive wireless applications wireless and mobile

[i j bahl and p bhartia microstrip antennas artech house](#) - Nov 21 2021

**bahl bhartia microstrip antennas book** - Mar 26 2022

web oct 3 2016 bahl i j bhartia p microstrip antennas pdf file size 7 91 mb added by paramon 10 03 2016 01 30 info modified 10 22 2017 21 40 artech house publishers

**bahl i j bhartia p microstrip antennas sciarium** - Feb 22 2022

web oct 14 2019 microstrip and printed antenna design analysis of near field calculation of radiation patten using tte method cf angula spectmn of plane waves study of input

**microstrip antennas bahl j j bhartia p 9780890060988** - Aug 31 2022

web bahl bhartia microstrip antennas handbook of microstrip antennas dec 26 2022 the book reviews developments in the following fields circular microstrip antennas

*microstrip antennas by i j bahl open library* - Nov 02 2022

web jan 1 2005 bahl i j and p bhartia 1980 microstrip antennas feed give center frequency 2 425 ghz which it i s design handbook artech house approximately equal

*pdf design of microstrip antenna for wlan researchgate* - Oct 01 2022

web about this edition titlee microstrip antennas author s p bhartia et i j bahl publisher artech house publishers publishing year 1980 sate second hand good

*microstrip antenna design handbook ramesh garg google* - Apr 26 2022

web bahl bhartia microstrip antennas handbook of microstrip antennas may 03 2023 the book reviews developments in the following fields circular microstrip antennas

**design considerations in microstrip antenna fabrication** - Jan 04 2023

web microstrip antennas the artech house microwave library by j j bahl p bhartia and a great selection of related books art and collectibles available now at abebooks com microstrip antennas by bahl bhartia 16 results you searched for author bahl bhartia

**microstrip antennas covered with a dielectric layer** - Mar 06 2023

web frequency agile microstrip antennas inproceedings bhartia1982frequencyam title frequency agile microstrip antennas author prakash bhartia and inder j

*microstrip antennas i j bahl p bhartia google books* - Oct 13 2023

web microstrip antennas antenna library artech house microwave library authors i j bahl p bhartia edition 2 illustrated reprint publisher artech house 1980 isbn

[microstrip antennas springerlink](#) - Jul 10 2023

web jan 1 1980 microstrip antennas by j j bahl author p bhartia author see all formats and editions hardcover 40 97 6 used from 36 99 1 collectible from 71 19

*microstrip antenna design handbook ghent* - Sep 12 2023

web microstrip antennas prakash bhartia inder j bahl books on demand 1980 364 pages other editions view all about the

author 1980 p bhartia ph d is director general

[frequency agile microstrip antennas semantic scholar](#) - Feb 05 2023

web it is found that for low dielectric substrate microstrip antennas the critical parameter affecting the change in resonant frequency is the error in antenna length while for high

[microstrip antennas prakash bhartia inder j bahl google books](#) - Aug 11 2023

web i j bahl p bhartia and s s stuchly design of microstrip antennas covered with a dielectric layer iee trans antennas propag vol ap 30 no 2 pp 314 318 march

*microstrip antenna design handbook edition 1 hardcover* - May 28 2022

web based on the 1980 text microstrip antennas this volume offers information on designing any type of microstrip antenna in addition to addressing essential microchip antenna

[pdf microstrip antennas semantic scholar](#) - Jan 24 2022

web i j bahl and p bhartia microstrip antennas artech house dedham ma 1980 has been cited by the following article article design and performance evaluation of

[microstrip antennas bahl j j bhartia p 9780890060988](#) - Jun 09 2023

web bhartia bahl itti piboon microstrip antennas artech house dedham ma chapter 4 3 garg r bhartia p bahl i j ittipiboon p 2001 microstrip antenna design

**design of microstrip antennas covered with a dielectric layer** - Apr 07 2023

web microstrip antennas covered with a dielectric layer inproceedings bahl1980microstripac title microstrip antennas covered with a dielectric layer author inder j bahl and